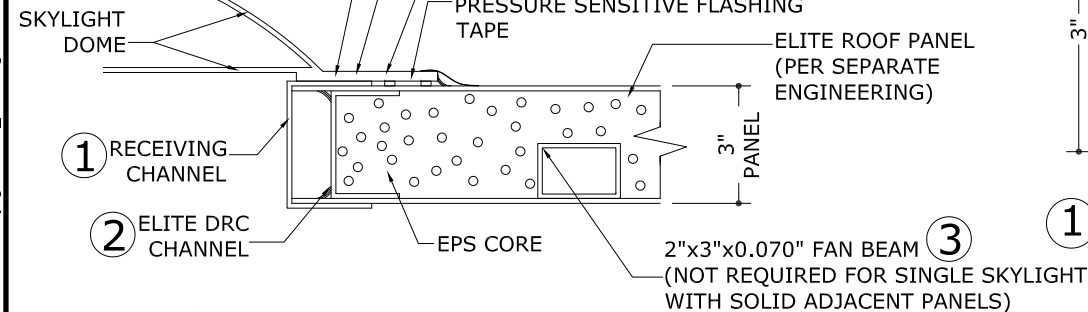


# ELITE ROOF PANEL SKYLIGHT CONNECTION DETAILS (NON-HABITABLE SPACE ONLY)

#10-24x1" TEK SCREWS, (1) EA CORNER & (1) @ MID-LENGTH, U.N.O. ON SKYLIGHT PROD. APPROVAL

PRESSURE SENSITIVE 3M WINDOW WELD  
STRUCTURAL GRADE ADHESIVE SEALANT  
PRESSURE SENSITIVE FLASHING TAPE

ELITE ROOF PANEL (PER SEPARATE ENGINEERING)



MAXIMUM ALLOWABLE DESIGN PRESSURE:  
**+17.98PSF / -28.55PSF**

## GENERAL NOTES:

ALLOWABLE DESIGN PRESSURES UTILIZED IN THIS DOCUMENT HAVE BEEN CALCULATED PER THE REQUIREMENTS OF THE REFERENCED BUILDING CODES & ASCE 7-10 USING ALLOWABLE STRESS DESIGN METHODOLOGY WITH THE CRITERIA AS OUTLINED HEREIN.

- THIS SKYLIGHT CONNECTION DETAIL HAS BEEN DESIGNED & COMPLIES WITH THE REQUIREMENTS OF THE 2012 INTERNATIONAL BUILDING CODE, 2012 INTERNATIONAL RESIDENTIAL CODE AND THE STANDARDS REFERENCED HEREIN. CONTRACTOR SHALL INVESTIGATE AND CONFORM TO ALL LOCAL BUILDING CODE AMENDMENTS WHICH MAY APPLY. DESIGN CRITERIA OR SPANS BEYOND STATED HEREIN MAY REQUIRE ADDITIONAL SITE SPECIFIC SEALED ENGINEERING. WIND LOADS BASED ON RISK CATEGORY II,  $V_{ult}^* = 170\text{MPH}$  (3 SECOND GUST), EXP 'B',  $K_d = 0.85$ ,  $K_t = 1.0$  (FLAT OR UNOBSTRUCTED TERRAIN ONLY), ENCLOSED ( $G_{cpi} = +/- 0.18$ ), 30' MRH, ROOF ZONE 1, PER ASCE 7-10 AS APPLICABLE. (\* $V_{eq3}$  EQUIVALENT 132 MPH)
- THIS DOCUMENT SHALL NOT BE USED OR REPRODUCED WITHOUT THE ORIGINAL SIGNATURE & RAISED SEAL OF FRANK L. BENNARDO, P.E. & MUST HAVE 'ELITE' IN RED ACROSS THE FACE OF THIS DRAWING. ALTERATIONS, ADDITIONS, OR OTHER MARKINGS TO THIS DOCUMENT ARE NOT PERMITTED AND INVALIDATE OUR CERTIFICATION.
- THE FLORIDA SEAL OF THIS ENGINEER CERTIFIES THIS DOCUMENT IS COMPLIANT WITH GOVERNING CODES LISTED HEREIN. THIS DESIGN UNDER A FLORIDA SEAL SHALL BE USED ONLY WHERE PERMITTED BY LAW AND ACCEPTED.
- THIS CONNECTION CERTIFICATION IS TO BE USED IN CONJUNCTION WITH THE ELITE ALUMINUM ROOF PANEL ENGINEERING SHEET (FL APPROVAL #5500). THIS DETAIL REFERS TO THE CONNECTION OF THE SUN-TEK OR KENNEDY SKYLIGHT MODEL PER SEPARATE CERTIFICATION (TYPICAL MODEL "4646 SF") TO THE ELITE ROOF PANEL. THIS CERTIFICATION IS NOT VALID UNLESS SKYLIGHT AND PANEL APPROVALS ARE SUBMITTED ALONG WITH THIS ENGINEERING SHEET.
- MAXIMUM SKYLIGHT DIMENSIONS SHALL BE A 24" WIDE X 48" TALL SKYLIGHT CENTERED INSIDE A 48" WIDE ELITE PANEL. ASSEMBLY SHALL CONSIDER A 6" MINIMUM EDGE DISTANCE FROM THE END OF THE PANELS AND A 24" MINIMUM SPACING BETWEEN INDIVIDUAL PANELS AND ILLUSTRATED HEREIN. PANEL CLEAR SPANS FOR USE WITH THIS DOCUMENT SHALL BE LIMITED TO A MAXIMUM 9'-5" LONG PANEL.
- THE EXISTING STRUCTURE MUST BE CAPABLE OF SUPPORTING THE LOADED COMPOSITE ROOF-SCREEN WALL STRUCTURE AS DETERMINED BY OTHERS OR BY SPECIAL ENGINEERING BY UNDERSIGNED ENGINEER ATTACHED HERETO. NO WARRANTY IS CONTAINED HEREIN.
- ALL FASTENERS TO BE NON-MAGNETIC 316 STAINLESS STEEL, SAE GRADE 5 STEEL MIN, OR CADMIUM PLATED OR OTHER CORROSION RESISTANT MATERIAL AND SHALL COMPLY WITH THE 2010 ALUMINUM DESIGN MANUAL, THE ALUMINUM ASSOCIATION, INC., & APPLICABLE FEDERAL, STATE, AND LOCAL CODES. ANY FASTENER STRIPPED OR NOT ADEQUATELY HOLDING SHALL BE REPLACED.
- FASTENERS SHALL HAVE A HEAD AND/OR BE PROVIDED WITH 1/2" DIAMETER WASHER MINIMUM UNLESS NOTED OTHERWISE. FOR ALUMINUM MEMBERS ALL ANCHORS SHALL BE SPACED WITH 2xDIAMETER END DISTANCE AND 2.5xDIAMETER MIN. SPACING TO ADJACENT ANCHORS, UNLESS NOTED OTHERWISE.
- THE CONTRACTOR IS RESPONSIBLE TO INSULATE ALUMINUM MEMBERS FROM DISSIMILAR METALS TO PREVENT ELECTROLYSIS.
- STRUCTURAL GRADE ADHESIVE SEALANT SHALL HAVE A MINIMUM 1500 PSI MIN BOND STRENGTH.
- ENGINEERING EXPRESS HAS NOT VISITED THIS JOBSITE. DIMENSIONS ARE SHOWN TO ILLUSTRATE DESIGN FORCES AND OTHER DESIGN CRITERIA. THEY MAY VARY SLIGHTLY, BUT MUST REMAIN WITHIN THE LIMITATIONS SPECIFIED HEREIN. WORK SHALL BE FIELD VERIFIED BY OTHERS PRIOR TO CONSTRUCTION. ENGINEERING EXPRESS SHALL BE NOTIFIED AND GIVEN AN OPPORTUNITY TO RE-EVALUATE OUR WORK UPON DISCOVERY OF ANY INACCURATE INFORMATION PRIOR TO MODIFICATION OF EXISTING FIELD CONDITIONS AND FABRICATION AND INSTALLATION OF MATERIALS.
- ENGINEER SEAL AFFIXED HERETO VALIDATES STRUCTURAL DESIGN AS SHOWN ONLY. USE OF THIS SPECIFICATION BY CONTRACTOR, et al. INDEMNIFIES AND SAVES HARMLESS THIS ENGINEER FOR ALL COSTS AND DAMAGES INCLUDING LEGAL FEES AND APPELLATE FEES RESULTING FROM MATERIAL FABRICATION, SYSTEM ERECTION, AND CONSTRUCTION PRACTICES BEYOND THAT WHICH IS CALLED FOR BY LOCAL, STATE, AND FEDERAL CODES AND FROM DEVIATIONS OF THIS PLAN.
- EXCEPT AS EXPRESSLY PROVIDED IN THIS SPECIFICATION, NO ADDITIONAL CERTIFICATIONS OR AFFIRMATIONS ARE INTENDED.

FRANK L. BENNARDO, P.E.  
# PE0046549

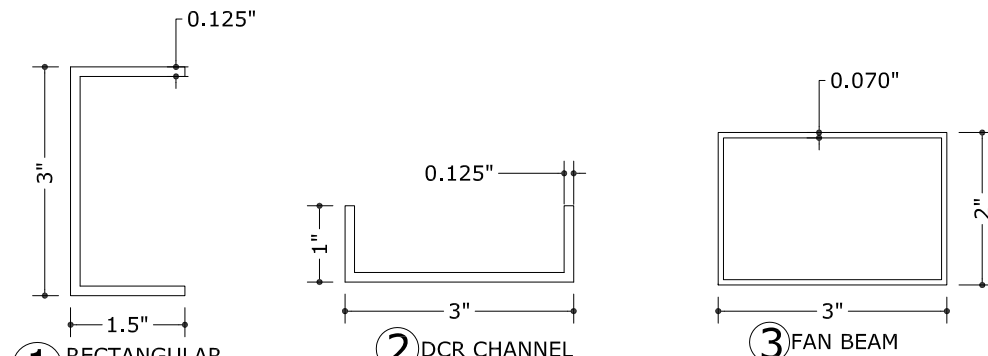
**IBC**

VALID FOR (1) JOB(S) ONLY  
VALID ONLY WITH RAISED ENGINEER SEAL

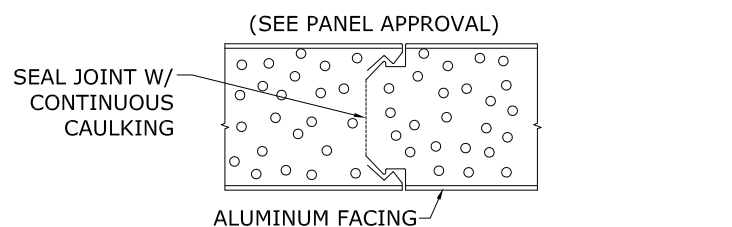
**FRANK L. BENNARDO, P.E.**  
160 SW 12th AVENUE, #106  
DEERFIELD BEACH, FL 33442  
PH: (954) 354-0660 FAX: (954) 354-0443

POWERED BY THE INNOVATIONS OF  
**ENGINEERING EXPRESS**  
EXPERIENCE MORE AT WWW.ENGINEERINGEXPRESS.COM

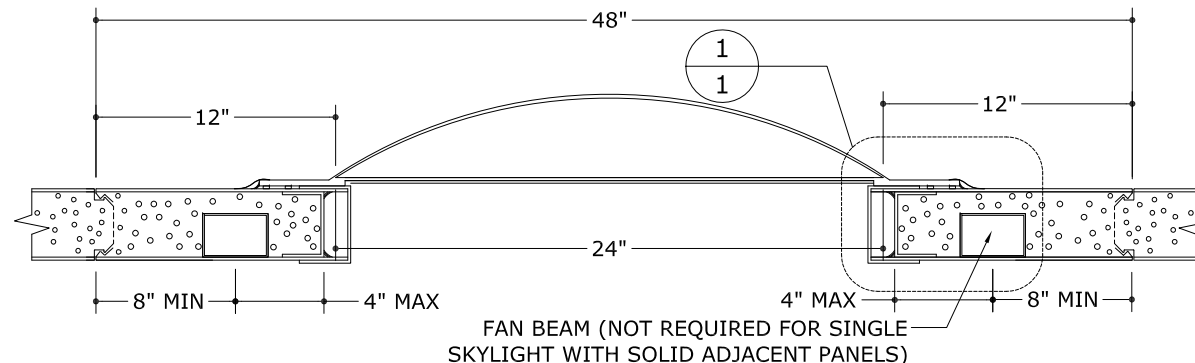
## EXTRUSIONS



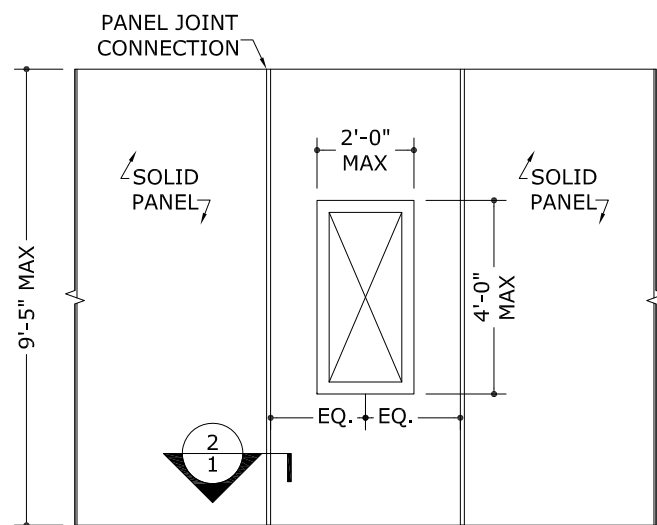
**1 SKYLIGHT CONNECTION**  
1 N.T.S. DETAIL



**2 ROOF PANEL SECTION**  
1 N.T.S. SECTION

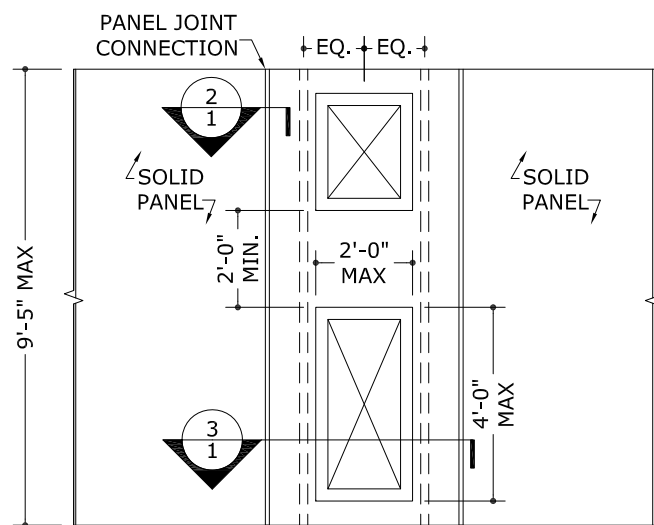


**3 ROOF PANEL/SKYLIGHT SECTION**  
1 N.T.S. VIEW

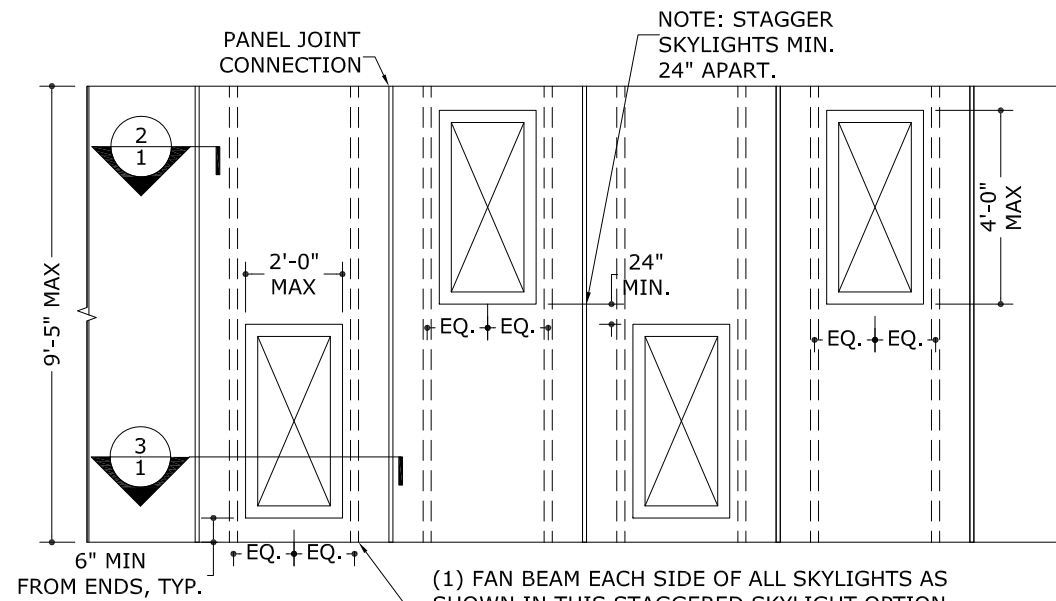


**4 SINGLE SKYLIGHT**  
1 1/4" = 1'-0" PLAN

(1) FAN BEAM EACH SIDE OF SKYLIGHT SHALL BE REQUIRED AT PANELS WITH MULTIPLE SKYLIGHTS



**5 DOUBLE SKYLIGHT**  
1 1/4" = 1'-0" PLAN



**6 STAGGERED SKYLIGHT**  
1 1/4" = 1'-0" PLAN

NOTE: STAGGER SKYLIGHTS MIN. 24" APART.

6" MIN FROM ENDS, TYP.

(1) FAN BEAM EACH SIDE OF ALL SKYLIGHTS AS SHOWN IN THIS STAGGERED SKYLIGHT OPTION

**ELITE ALUMINUM CORPORATION**  
4650 LYONS TECHNOLOGY PARKWAY  
COCONUT CREEK, FL 33073

Building Innovation  
**ELITE**  
Panel Products

ELITE SUN-TEK SKYLIGHT DETAIL

REMARKS	DRWN	CHKD	DATE
INIT ISSUE	LMJ	FLB	09/27/05
ADD DETAILS	JAR	TSB	6/10/10
UPDATE FOR 2012 IBC	CSL	TSB	11/26/12

THIS DOCUMENT IS THE PROPERTY OF FRANK L. BENNARDO, P.E. AND SHALL NOT BE REPRODUCED OR TRANSMITTED IN ANY FORM OR BY ANY MEANS, ELECTRONIC OR MECHANICAL, INCLUDING PHOTOCOPYING, RECORDING, OR BY ANY INFORMATION STORAGE AND RETRIEVAL SYSTEM. WITHOUT THE WRITTEN PERMISSION OF FRANK L. BENNARDO, P.E., ALTERATIONS, ADDITIONS, HIGHLIGHTING, OR OTHER MARKINGS TO THIS DOCUMENT ARE NOT PERMITTED AND INVALIDATE OUR CERTIFICATION.

COPYRIGHT FRANK L. BENNARDO, P.E.

**00-EAC-1062**

SCALE: 1/4" = 1'-0" 05

PAGE DESCRIPTION:

1 OF 1

11/30/2012 - 3:49pm chen \\SERVER011\file\Cabinet01 Project Files\Elite (EAC)\Elite Master Plan Sheets\00-EAC-1062 Sun-Tek Skylight DetailDrawings\00-EAC-1062\_05a Sun-Tek Skylight Detail\_IBC.dwg