

ELITE 2000

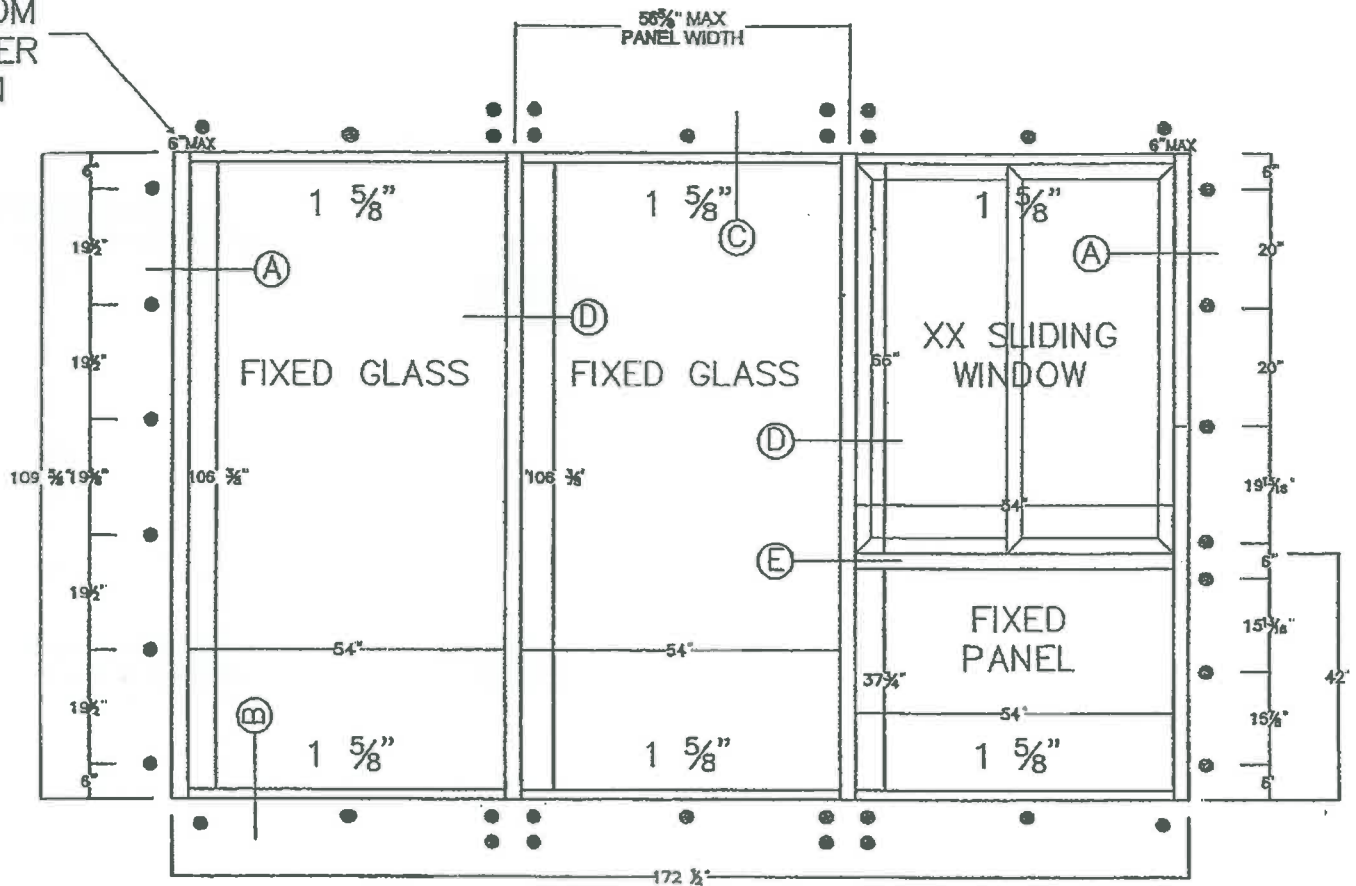
ARCHITECTURE SERIES



IMPACT SERIES 5090

STORFRONT

6" MAX FROM
ACH CORNER
& COLUMN
TYPICAL



Elite Storefront Bill of Materials

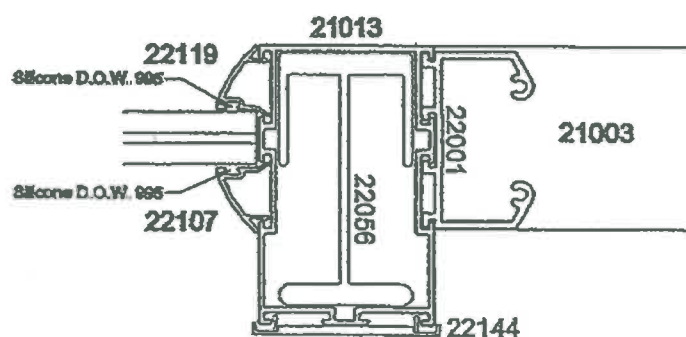
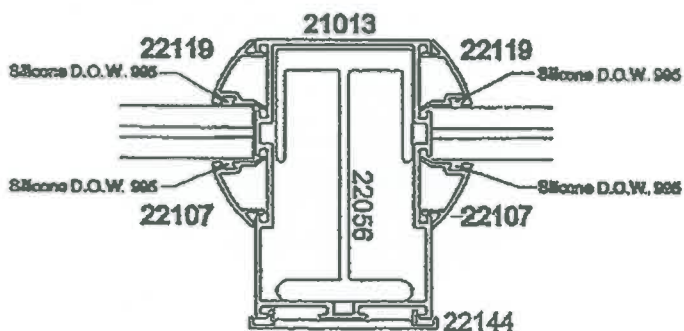
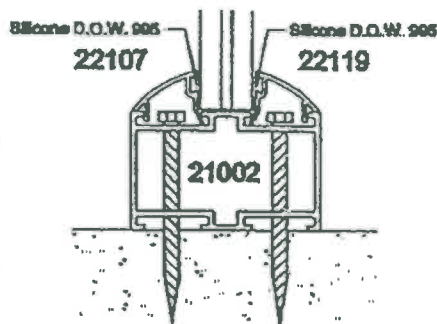
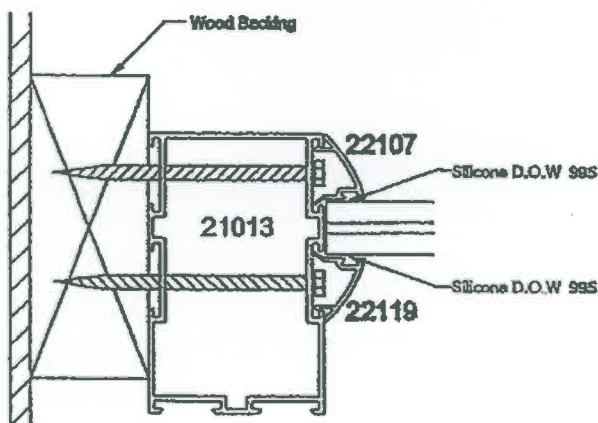
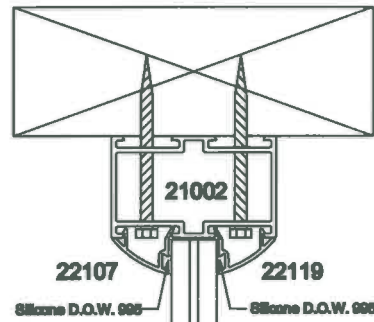
	Description	Item #
1	STOREFRONT HEADER 1 5/8" X 2 5/8"	21002
2	STOREFRONT SILL 1 5/8" X 2 5/8"	21002
3	STOREFRONT STILE 2 5/8" X 4"	21013
4	HORIZONTAL MULLION 2 5/8" X 2 5/8"	21003
5	COLUMN REINFORCEMENT INSERT	22056
6	GLAZING CLIPS	22107+22119
7	CONNECTING BRACKET	22001
8	FLAT SNAP TRIM	22144

INUM STOREFRONT GLAZING SYSTEM

GLASS TYPE
$\frac{3}{8}$ " LAMINATED $\frac{1}{4}$ " HEAT STRENGTHENED .090 SENTRY GLASS PLUS $\frac{1}{4}$ " HEAT STRENGTHENED

PANEL TYPE
FIXED PANEL .024 ALUMINUM $2\frac{3}{32}$ " PLYWOOD .024 ALUMINUM

ANCHOR TYPE LEGEND
$\frac{5}{16}$ " ULTRACON TRIM FIT ● ANCHOR TYPE "1" (SINGLE ROW) ● ANCHOR TYPE "2" (DOUBLE ROW)



D

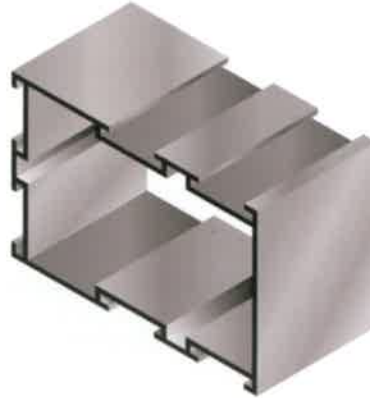
E



1" Beam



1 5/8" Beam



4" Column



4" Column Insert



1-4" Adapter



Flat Snap Trim



Connecting Bracket



Square Glazing Clip



Round Snap Trim



Rounded Glazing Clip



**ELITE
ALUMINUM
CORPORATION**

Florida State approval no. FL11627

For additional information contact: FL 800.421.0682 US 800.535.4837