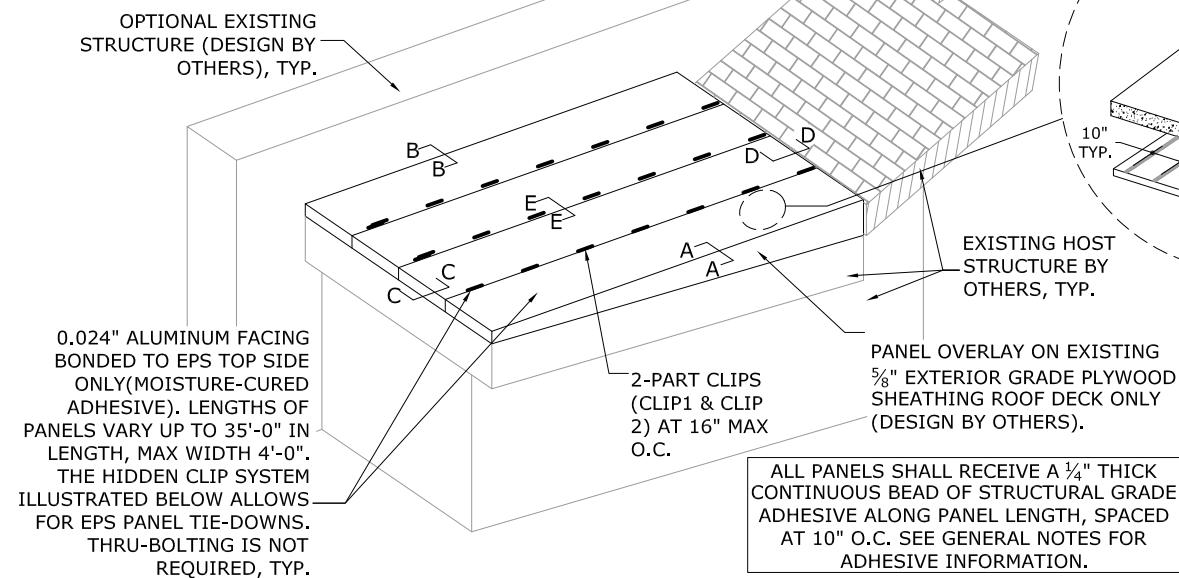


ELITE ROOF TAPERED OVERLAY MASTER PLAN SHEET

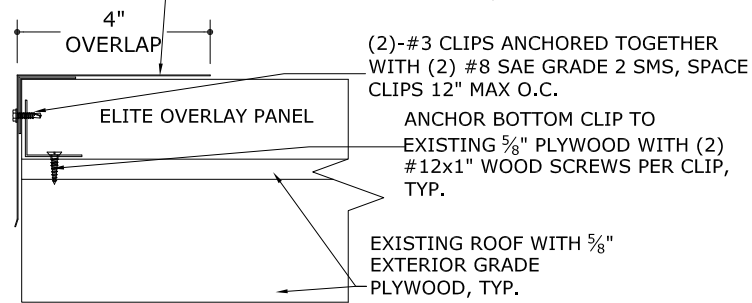
THIS CERTIFICATION PROVIDES CONNECTION DETAILS FOR A TAPERED OVERLAY PANEL (2:12 MAX SLOPE) ATTACHED TO AN EXISTING ROOF (DESIGN BY OTHERS)



1 ROOF TAPERED OVERLAY

1 N.T.S. ISOMETRIC

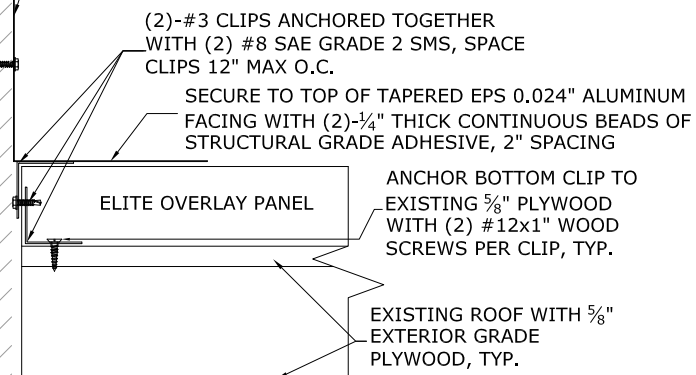
0.024" ALUMINUM SHEET BENT OVER OUTER EDGE, SECURE TO TOP OF TAPERED EPS 0.024" ALUMINUM FACING WITH (2)-1/4" THICK CONTINUOUS BEADS OF STRUCTURAL GRADE ADHESIVE, 2" SPACING.



A EXPOSED END DETAIL

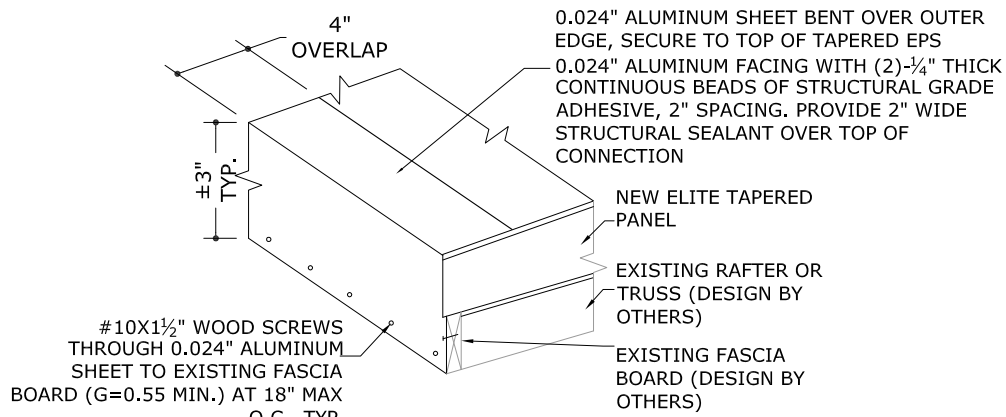
A N.T.S. DETAIL

6"x6"x0.024" THICK CONTINUOUS ALUMINUM FLASHING ALONG EXISTING HOST WITH #12x1" WOOD SCREWS OR 3/16" Ø ITW TAPCONS, 1/4" EMBED TO 3KSI CONCRETE OR ASTM C90 CMU BY OTHERS. UTILIZE 18" MAX O.C. SPACING.



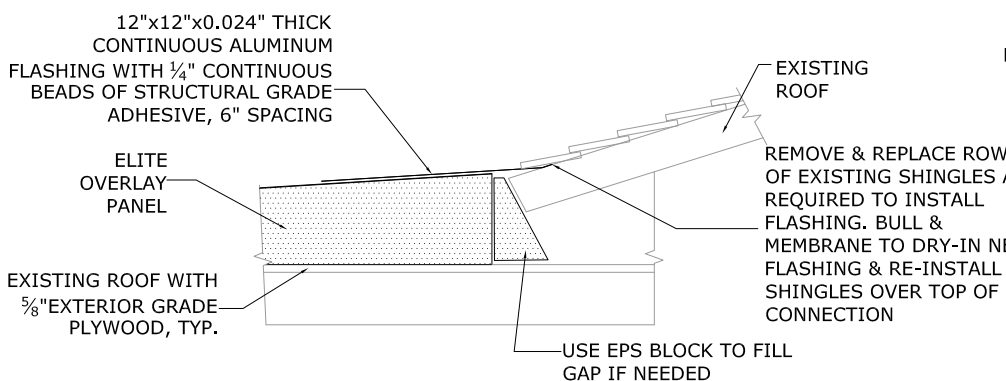
B SIDE CLOSURE DETAIL

B N.T.S. DETAIL



C FRONT TERMINATION DETAIL

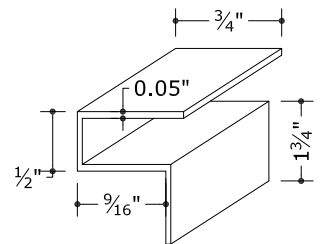
C N.T.S. ISOMETRIC



D TRANSITION DETAIL

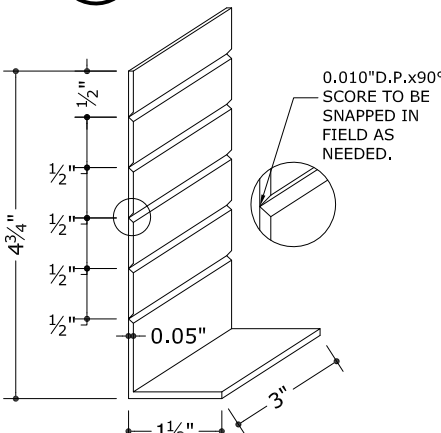
D N.T.S. ISOMETRIC

CLIP DETAILS:



1 CLIP #1

6063-T6 ALUMINUM



2 CLIP #2

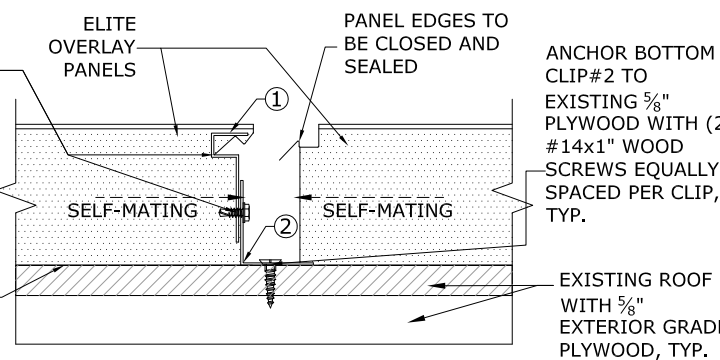
6063-T6 ALUMINUM

GENERAL NOTES:

- THE ROOF TAPERED OVERLAY CONNECTION DETAILS ILLUSTRATED HEREIN HAVE BEEN DESIGNED & COMPLY WITH THE REQUIREMENTS OF THE STRUCTURAL PROVISIONS OF THE 2010 FLORIDA BUILDING CODE AND THE STANDARDS REFERENCED HEREIN. CONTRACTOR SHALL INVESTIGATE AND CONFORM TO ALL LOCAL BUILDING CODE AMENDMENTS WHICH MAY APPLY.
 - DESIGN CRITERIA CONSIDERS $V_{ult}^* = 170\text{MPH}$, EXPOSURES 'B' & 'C', $K_d = 0.85$, $K_t = 1.0$ (FLAT OR UNOBSTRUCTED TERRAIN ONLY), ENCLOSED ($G_{cpi} = +/- 0.18$), 15' MRH, 2:12 MAX SLOPE (GABLE & MONOSLOPE) PER ASCE 7-10 AS APPLICABLE.
* V_{asd} MAY BE CALCULATED WITH THE FOLLOWING CONVERSION: $V_{asd} = V_{ult}^* \sqrt{0.6}$
 - THE EXISTING STRUCTURE MUST BE CAPABLE OF SUPPORTING THE LOADED COMPOSITE ROOF PANELS AS DETERMINED BY OTHERS OR BY SPECIAL ENGINEERING BY UNDERSIGNED ENGINEER ATTACHED HERETO. NO WARRANTY IS CONTAINED HEREIN.
 - ALL EXTRUSIONS SHALL BE ALUMINUM ALLOY TYPE 6063-T6 OR BETTER.
 - ALL FASTENERS TO BE 2024-T4 OR 7075-T73 ALLOY, NON-MAGNETIC STAINLESS STEEL, SAE GRADE 5 STEEL MIN (UNLESS NOTED OTHERWISE), OR CADMIUM PLATED OR OTHER CORROSION RESISTANT MATERIAL AND SHALL COMPLY WITH 5.1.1.C, 2005 ALUMINUM DESIGN MANUAL- SECTION 1, THE ALUMINUM ASSOCIATION, INC., & APPLICABLE FEDERAL, STATE, AND LOCAL CODES.
 - THE CONTRACTOR IS RESPONSIBLE TO INSULATE MATERIALS FROM DISSIMILAR MEMBERS TO PREVENT ELECTROLYSIS, I.E. ALUMINUM PER F.B.C. 2003.8.4.
 - ALL TAPCONS MUST BE ITW CARBON STEEL TAPCONS OR EQUIVALENT W/ 1/4" EMBED, 3" MIN. EDGE DISTANCE, FASTENED TO MINIMUM 3192PSI MIN., UN-CRACKED CONCRETE.
 - ALUMINUM MEMBERS IN CONTACT WITH CONCRETE & WOOD SHALL BE PROTECTED BY 'KOPPERS BITUMINOUS PAINT' OR MFR. EQUAL IN ACCORDANCE WITH APPLICABLE CODE REQUIREMENTS.
 - EXISTING WOOD ROOF (DESIGN BY OTHERS) SHALL UTILIZE 5/8" MIN. EXTERIOR GRADE CDX PLYWOOD SHEATHING.
 - OVERLAY PANELS SHALL BE CONSTRUCTED USING MINIMUM TYPE 3005-H25 ALUMINUM FACING, ADHERED TO ALUMINUM FACINGS WITH ASHLAND CHEMICAL 2020D ISO GRIP. FABRICATION TO BE BY ELITE PANEL PRODUCTS ONLY IN ACCORDANCE WITH APPROVED FABRICATION METHODS. SEE ELITE'S CURRENT ROOF PANEL PRODUCT APPROVAL FOR SPECIFICATION ON PANEL MATERIALS AND CONSTRUCTION.
 - STRUCTURAL GRADE ADHESIVE SHALL BE PL PREMIUM POLYURETHANE CONSTRUCTION ADHESIVE WITH 150 PSI MIN. TENSILE STRENGTH OR EQUIVALENT. ADHESIVES SHALL BE HANDLED AND APPLIED IN ACCORDANCE WITH THE MANUFACTURER'S SPECIFICATIONS. ALL ADHESIVES SHALL BE APPROVED AND RATED BY MANUFACTURER.
 - THE SYSTEM DETAILED HEREIN IS GENERIC AND DOES NOT PROVIDE INFORMATION FOR A SPECIFIC SITE. FOR SITE CONDITIONS DIFFERENT FROM THE CONDITIONS DETAILED HEREIN, A LICENSED ENGINEER OR REGISTERED ARCHITECT SHALL PREPARE SITE-SPECIFIC DOCUMENTS IN CONJUNCTION WITH THIS DOCUMENT.
 - ENGINEER SEAL AFFIXED HERETO VALIDATES STRUCTURAL DESIGN AS SHOWN ONLY. USE OF THIS SPECIFICATION BY CONTRACTOR, et al. INDEMNIFIES AND SAVES HARMLESS THIS ENGINEER FOR ALL COSTS AND DAMAGES INCLUDING LEGAL FEES AND APPELLATE FEES RESULTING FROM MATERIAL FABRICATION, SYSTEM ERECTION, AND CONSTRUCTION PRACTICES BEYOND THAT WHICH IS CALLED FOR BY LOCAL, STATE, AND FEDERAL CODES AND FROM DEVIATIONS OF THIS PLAN.
 - EXCEPT AS EXPRESSLY PROVIDED IN THIS SPECIFICATION, NO ADDITIONAL CERTIFICATIONS OR AFFIRMATIONS ARE INTENDED.
- ** THIS DOCUMENT SHALL NOT BE USED OR REPRODUCED WITHOUT THE ORIGINAL SIGNATURE & RAISED SEAL OF FRANK L. BENNARDO, P.E. & MUST HAVE 'ELITE' IN RED ACROSS THE FACE OF THIS DRAWING. ALTERATIONS, ADDITIONS, OR OTHER MARKINGS TO THIS DOCUMENT ARE NOT PERMITTED AND INVALIDATE OUR CERTIFICATION.

CLIP#1 TO FIT INSIDE FEMALE SIDE OF SELF MATING ELITE PANEL & ATTACH TO CLIP#2. UTILIZE (1) PAIR OF CLIPS AT 16" MAX O.C. CONNECT CLIPS AS ILLUSTRATED WITH (2)-#10 SAE GRADE 2 MIN. SHEET METAL SCREWS PER CLIP PAIR, EQUALLY SPACED.

ALL PANELS SHALL RECEIVE A 1/4" THICK CONTINUOUS BEAD OF STRUCTURAL GRADE ADHESIVE ALONG PANEL LENGTH, SPACED AT 10" O.C. SEE GENERAL NOTES FOR ADHESIVE INFORMATION.



E ADJACENT PANEL CONNECTION DETAIL

E N.T.S. DETAIL

FRANK L. BENNARDO, P.E.
PE0046549

04/02/2012

VALID FOR (1) JOB(S) ONLY
VALID ONLY WITH RAISED ENGINEER SEAL

ENGINEERING EXPRESS

160 SW 12th AVENUE, # 106
DEERFIELD BEACH, FL 33442
Ph: (954) 354-0660 Fax: (954) 354-0443
WWW.ENGP.COM

CERT OF AUTH #9885
A FRANK L. BENNARDO, P.E., INC. INNOVATION

ELITE ALUMINUM CORPORATION

4650 LYONS TECHNOLOGY PARKWAY
COCONUT CREEK, FL 33073

Building Innovation
ELITE
Panel Products

TAPERED ROOF OVERLAY PANEL
MASTER PLAN SHEET

DRWN	CHKD	DATE
FLB	FLB	2/9/07
FLB	FLB	4-7-10
CSL	TSB	03/27/12

REMARKS

INIT ISSUE

2007 FBC MOD

UPDATE FOR 2010 FBC

THIS DOCUMENT IS THE PROPERTY OF FRANK L. BENNARDO, P.E. AND SHALL NOT BE REPRODUCED, COPIED, OR TRANSMITTED IN ANY FORM OR BY ANY MEANS, ELECTRONIC OR MECHANICAL, INCLUDING PHOTOCOPYING, RECORDING, OR BY ANY INFORMATION STORAGE AND RETRIEVAL SYSTEM. WITHOUT THE WRITTEN PERMISSION OF FRANK L. BENNARDO, P.E., ALTERATIONS, ADDITIONS, HIGHLIGHTING, OR OTHER MARKINGS TO THIS DOCUMENT ARE NOT PERMITTED AND INVALIDATE OUR CERTIFICATION.

COPYRIGHT FRANK L. BENNARDO P.E.

00-EAC-1043

SCALE: 02

PAGE DESCRIPTION:

1 OF 1

\\SERVER011\file\Cabinet01\Project Files\Elite (EAC)\Elite Master Plan Sheets\00-EAC-1043 Tapered Overlay Roof - FL00-EAC-1043_02b Tapered Roof Overlay.dwg 04/02/2012 - 10:34am chen