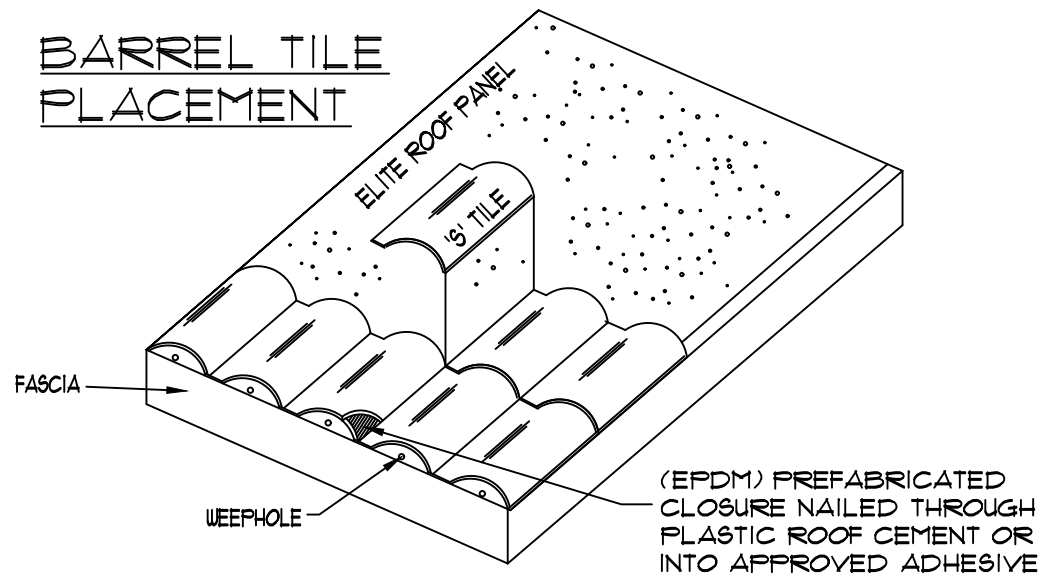
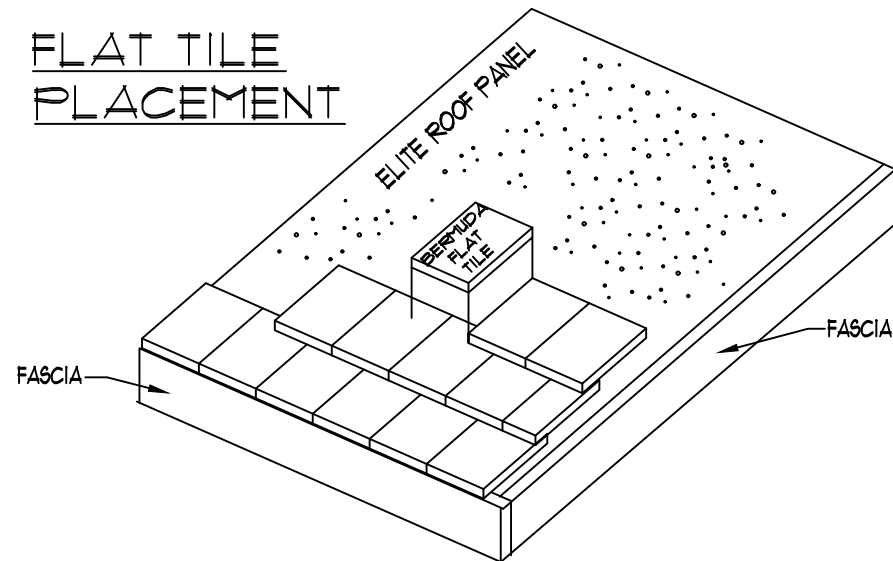


BARREL TILE PLACEMENT



FLAT TILE PLACEMENT



'S' TILE DETAIL

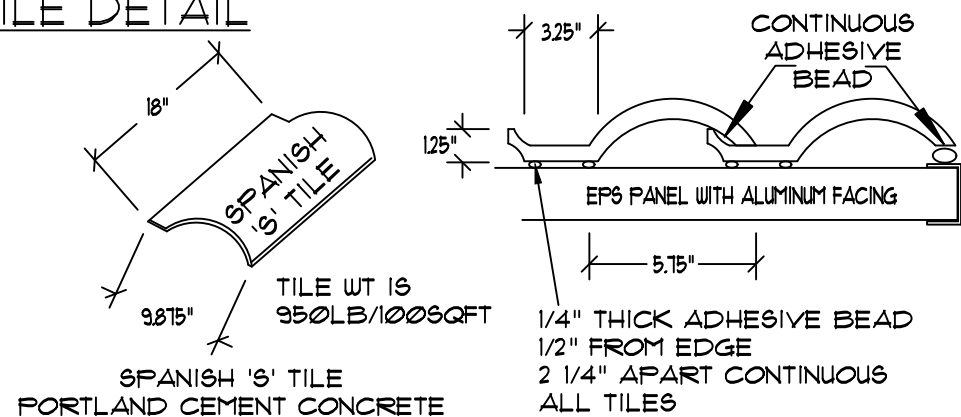
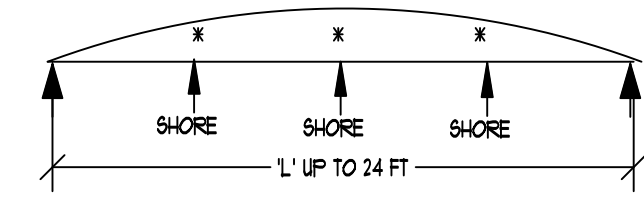
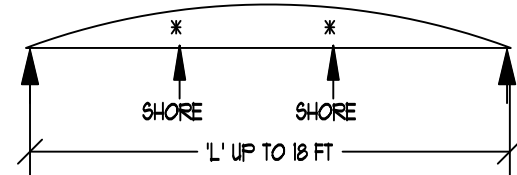
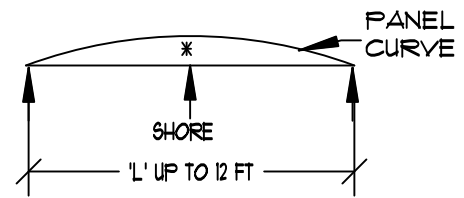


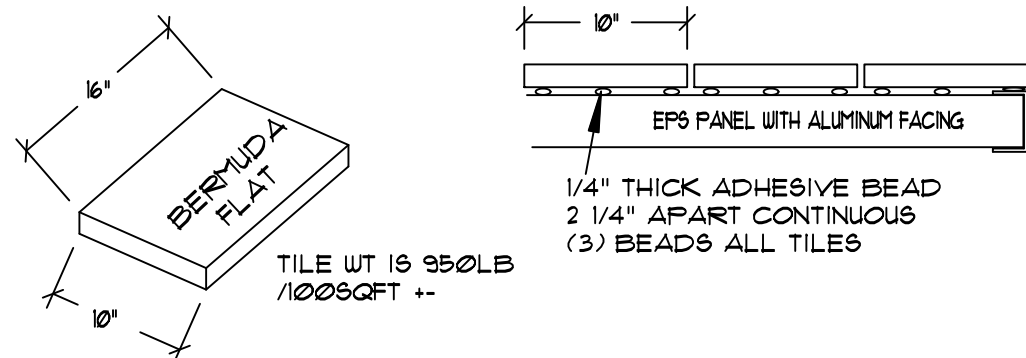
TABLE A

ROOF PANEL SPAN LENGTH L	NUMBER OF SHORING LINES	CAMBER (UP) DEFLECTION
UP TO 12 FT.	1	1/4" UP
UP TO 18 FT.	2	3/8" UP
UP TO 24 FT.	3	1/2" UP

* SHIM DEFL TO FIT PANEL CURVATURE



FLAT TILE DETAIL



GENERAL NOTES:

THIS DETAIL HAS BEEN DESIGNED AND SHALL BE CONSTRUCTED IN ACCORDANCE WITH THE 2014 FLORIDA BUILDING CODE. DETAIL VALID FOR THE FOLLOWING CONDITIONS USING ASCE 1-10:

V=110MPH OR LESS, EXPOSURE 'B' OR 'C', MRH=15', RISK CATEGORY II, ROOF PITCH θ TO $\frac{3}{8}$, $K_{zt}=1.0$, $K_d=0.85$, ROOF AREA 50 SQFT OR GREATER. -25PSF GROSS UPLIFT ON TILE (LEEWARD NORMAL TO RIDGE GOVERNS USING MRFRS SECTION 6.5 OF ASCE 1-10)

ENGINEER SEAL CERTIFIES TILE PLACEMENT FOR UPLIFT ONLY. REFER TO ADDITIONAL ENGINEERING FOR SPAN LENGTHS AND OTHER CONNECTION CRITERIA WHICH MAY APPLY. INSTALLATION PROCEDURE AS DESCRIBED HEREIN MUST BE FOLLOWED TO ENSURE INTEGRITY OF SPAN LENGTHS AS TABULATED ELSEWHERE.

EXCEPT AS EXPRESSLY PROVIDED HEREIN, NO CERTIFICATIONS OR AFFIRMATIONS ARE INTENDED.

OUTLINE SPECIFICATIONS:

MATERIALS:
1. TILES: SPANISH 'S', LIFETILE BERMUDA FLAT PORTLAND CEMENT CONCRETE, OR PERMATILE METAL GALVALUME MANUFACTURED BY MONIER ROOF TILE OR ENTEGRA ESTATE 'S'

2. ROOF TILE (NOA NO. 14-12000) OR OTHER EQUALS.

3. EAVE CLOSURE: PREFABRICATED EPDM SYNTHETIC RUBBER (ASTM-C-1056).

4. ROOF PANELS: EPS INSULATED SANDWICH TYPE WITH ALUMINUM FACINGS, MANUFACTURED BY ELITE PANEL PRODUCTS. PANEL SPANS ARE LISTED IN ELITE'S MASTER PLAN. PANELS ARE LIMITED TO ONE STORY BUILDING HEIGHTS. ROOF HEIGHTS GREATER THAN ONE STORY REQUIRE ADDITIONAL SPECIFIC ENGINEERING REVIEW.

5. ADHESIVES: a) PSI-901 IS A ONE PART POLYURETHANE SEALANT, MANUFACTURED BY POLYMERIC SYSTEMS, INC. OR b) FL PREMIUM IS A ONE PART URETHANE BASED CONSTRUCTION ADHESIVE BY CHEMREX, INC. ADHESIVE SHALL BE HANDLED AND APPLIED IN ACCORDANCE WITH MANUFACTURER'S SPECIFICATIONS. NOTE: ALL MATERIALS TO BE PRODUCT APPROVED AND RATED FOR DESIGN PRESSURES SPECIFIED HEREIN BY MANUFACTURER FOR INSTALLATION METHOD ILLUSTRATED. ADDITIONAL SURFACE AREA MAY BE REQUIRED TO MEET MINIMUM MANUFACTURER REQUIREMENTS.

INSTALLATION PROCEDURE:

- PRIOR TO TILE PLACEMENT, ROOF PANELS SHALL BE SHORED. THE NUMBER OF SHORING LINES TO BE AS PER TABLE A. SHORE LINES SHALL PROVIDE FULL BEARING ALONG EACH PANEL WIDTH. CAMBER ALL PANELS UPWARD ALONG SHORE LINES TO ALLOW FOR SUPERIMPOSED TILE WEIGHT AS PER TABLE A. SHORING TO REMAIN IN PLACE FOR AT LEAST 1 DAYS DURING THE ADHESIVE CURING PERIOD.
- TILES TO BE PLACED AS PER INFORMATION GIVEN HEREIN.
- CONTACT SURFACES RECEIVING BEAD LINES SHALL BE PREPARED CLEAN AND FREE OF ALL CONTAMINANTS PER MANUFACTURER'S SPECIFICATIONS.
- LOCATION OF ADHESIVE BEAD LINES ARE SHOWN ON TILE PROFILE

TILE INSTALLATION:

- CAUTION 1: AVOID EXCESSIVE TILE STACKING ON ROOF PANELS. LIMIT STACK HEIGHT TO 4 TILES. LOCATE OVER SHORE LINES WHEN POSSIBLE.
- CAUTION 2: ROOF TRAFFIC DIRECTLY ON TILES SHOULD BE AVOIDED.
- CAUTION 3: TILE PORTIONS ONCE PLACED AND ADHESIVE BONDED SHALL NOT BE WALKED ON DURING THE ADHESIVE CURING PERIOD OF 1 DAYS MINIMUM.

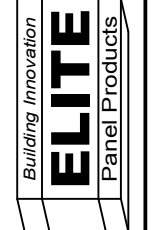
C.T. "GUS" TARNOWSKI
PE0050662



VALID FOR (1) JOB(S) ONLY
VALID ONLY WITH RAISED ENGINEER SEAL

ENGINEERING BUSINESS CA 00009677
TARNOWSKI ENGINEERING
CIVIL & STRUCTURAL ENGINEERING
7360 N.W. 5th Street Phone (954) 727 - 2027
Plantation, FL 33317 Fax (954) 727 - 9644

ELITE ALUMINUM CORPORATION
4650 LYONS TECHNOLOGY PARKWAY
COCONUT CREEK, FL 33073



TILE TO ELITE ROOF DETAIL SHEET

REMARKS	DRWN	CHKD	DATE
FBC2014 ISSUE	WTF	CT	07/01/15

THIS DOCUMENT IS THE PROPERTY OF TARNOWSKI ENGINEERING, INC. WRITERS CONSENT OF TARNOWSKI ENGINEERING, INC. "ALTERATIONS" ADDITIONS, HIGHLIGHTING OR OTHER MARKINGS TO THIS DOCUMENT ARE NOT PERMITTED AND INVALIDATE OUR CERTIFICATION.

COPYRIGHT TARNOWSKI ENGINEERING, INC.

00-EAC-1051

SCALE: N.T.S. 01

PAGE DESCRIPTION: