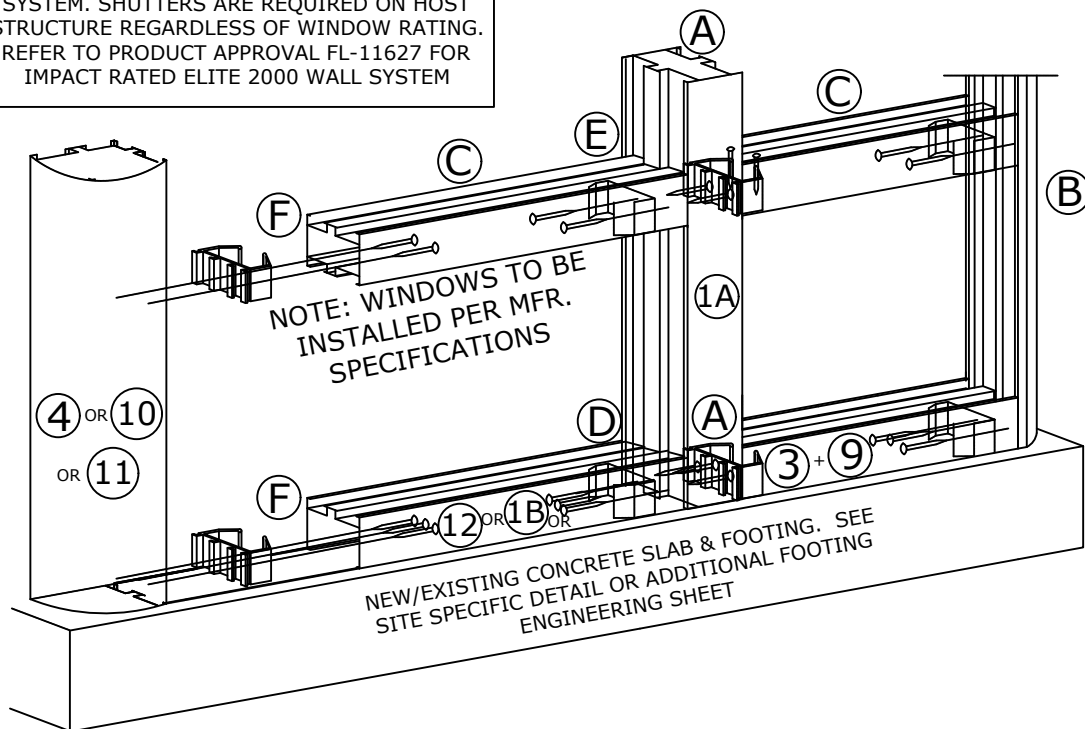


# ELITE 2000 GLASS WALL SYSTEM-PATIO INFILL EDITION

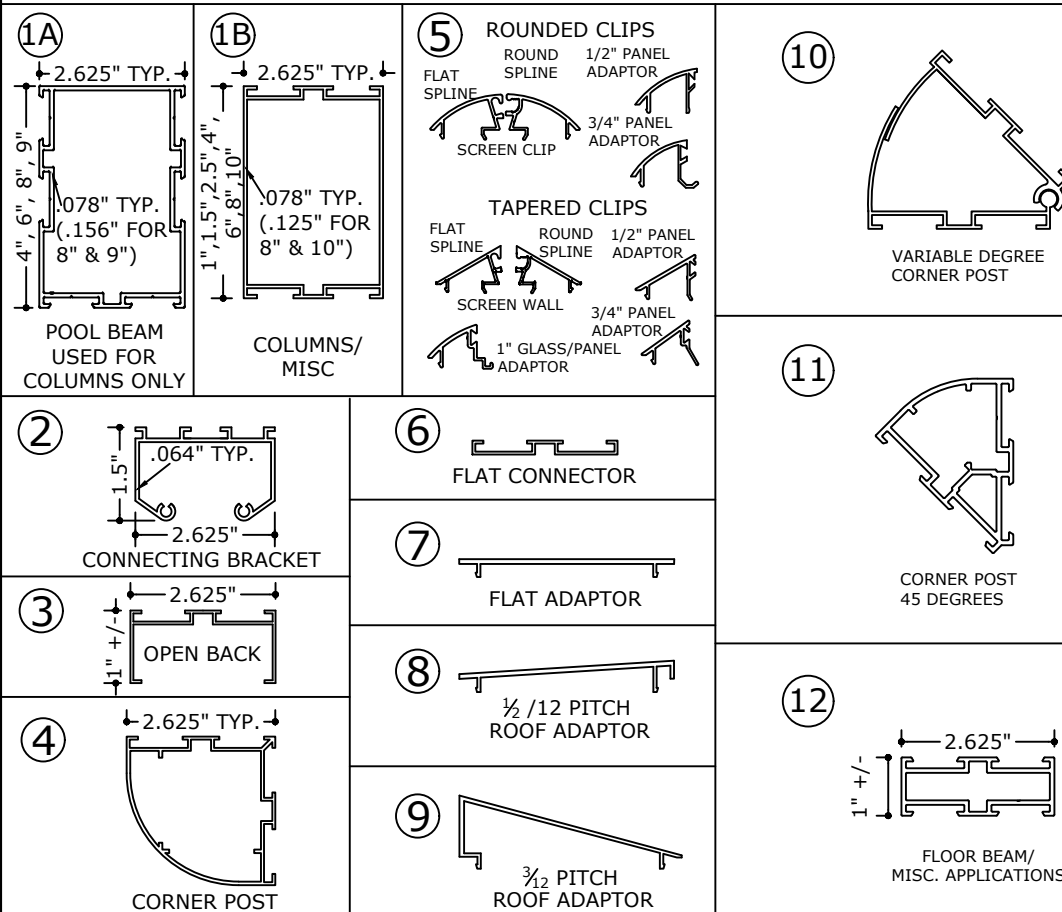
DETAILS NOT SHOWN TO SCALE FOR CLARITY.

## GLASS WALL ELEVATION:

NOTE: NOT AN APPROVED IMPACT PROTECTION SYSTEM. SHUTTERS ARE REQUIRED ON HOST STRUCTURE REGARDLESS OF WINDOW RATING. REFER TO PRODUCT APPROVAL FL-11627 FOR IMPACT RATED ELITE 2000 WALL SYSTEM

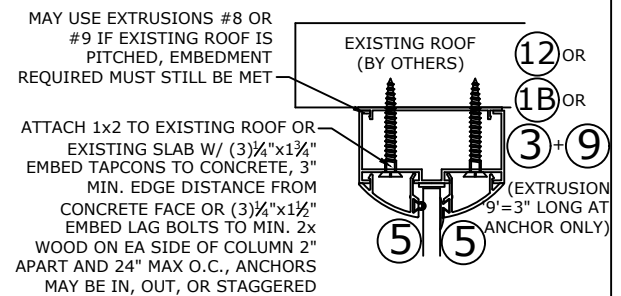


## EXTRUSIONS

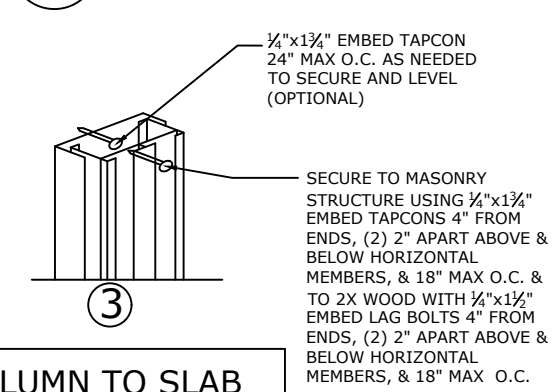


## A CONNECTION TO EXISTING ROOF

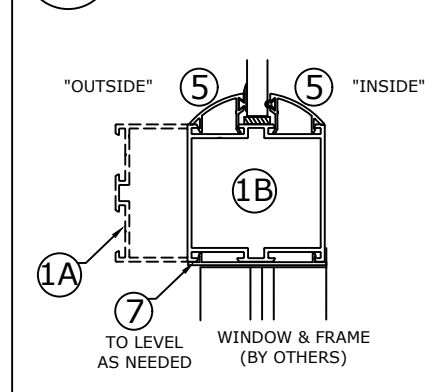
(\*\*SEE GENERAL NOTE #10 FOR DESIGN PARAMETERS)



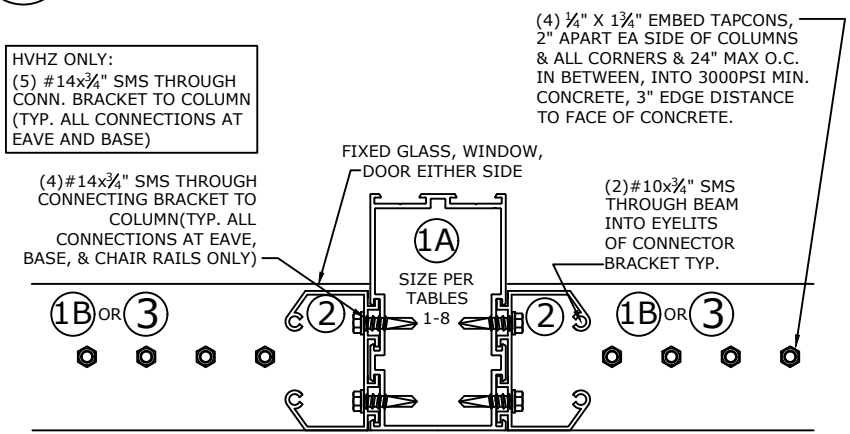
## B CONNECTION TO EXISTING WALL



## C TYP. HORIZONTAL MULL DETAIL

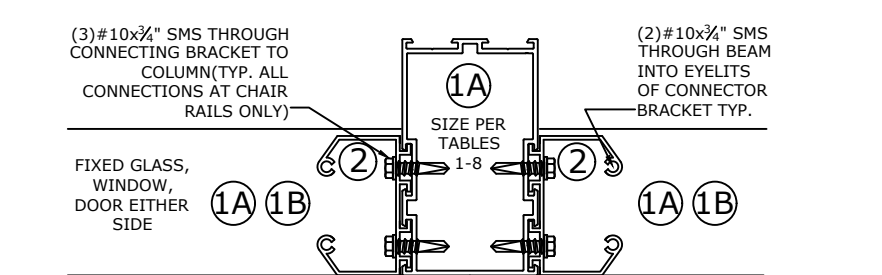


## D CONNECTION OF BEAM TO COLUMN TO SLAB (EAVE & BASE)



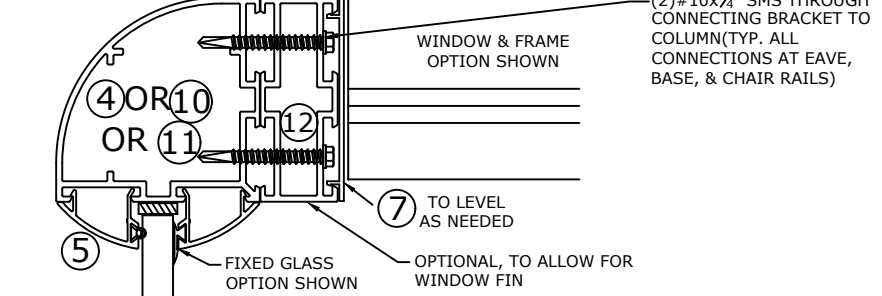
## E CONNECTION OF BEAM TO COLUMN (CHAIR RAIL)

(\*\*SEE GENERAL NOTE #10 FOR DESIGN PARAMETERS)



## F CONNECTION OF BEAM TO CORNER COLUMN (EAVE, BASE, & CHAIR RAIL)

(\*\*SEE GENERAL NOTE #10 FOR DESIGN PARAMETERS)



## GENERAL NOTES:

- THIS STRUCTURE HAS BEEN DESIGNED & COMPLIES WITH THE REQUIREMENTS OF THE 2014 FLORIDA BUILDING CODE. STRUCTURE SHALL BE FABRICATED IN ACCORDANCE WITH ALL GOVERNING CODES. CONTRACTOR SHALL INVESTIGATE AND CONFORM TO ALL LOCAL BUILDING CODE AMENDMENTS WHICH MAY APPLY. DESIGN CRITERIA OR SPANS BEYOND STATED HEREIN MAY REQUIRE ADDITIONAL SITE SPECIFIC SEALED ENGINEERING. ALL LOADS BASED ON CATEGORY II, Kd=0.85, ENCLOSED (Gcpi= +/-0.18), 15' MRH, EXPOSURE 'C', 30' MRH, EXPOSURE 'B' PER ASCE 7-10.
- THIS DOCUMENT SHALL NOT BE USED OR REPRODUCED WITHOUT THE ORIGINAL SIGNATURE & RAISED SEAL OF C.T. "GUS" TARNOWSKI, P.E. & MUST HAVE 'ELITE' IN RED ACROSS THE FACE OF THIS DRAWING. ALTERATIONS, ADDITIONS, HIGHLIGHTING, OR OTHER MARKINGS TO THIS DOCUMENT ARE NOT PERMITTED AND INVALIDATE OUR CERTIFICATION.
- THE EXISTING STRUCTURE MUST BE CAPABLE OF SUPPORTING THE LOADED GLASS WALL STRUCTURE AS DETERMINED BY OTHERS OR BY SPECIAL ENGINEERING BY UNDERSIGNED ENGINEER ATTACHED HERETO. NO WARRANTY IS CONTAINED HEREIN.
- ALL EXTRUSIONS SHALL BE ALUMINUM ALLOY TYPE 6063-T6 ONLY.
- ALL FASTENERS TO BE 2024-T4 OR 7075-T73 ALLOY, NON-MAGNETIC STAINLESS STEEL, OR CADMIUM PLATED OR OTHER CORROSION RESISTANT MATERIAL AND SHALL COMPLY WITH SECTION 5, 2010 ALUMINUM DESIGN MANUAL, THE ALUMINUM ASSOCIATION, INC., & APPLICABLE FEDERAL, STATE, AND LOCAL CODES.
- FASTENERS SHALL HAVE A 1/2" DIA. HEAD OR BE PROVIDED WITH 1/2" DIAMETER WASHER MINIMUM UNLESS NOTED OTHERWISE.
- ALL CONNECTIONS SHALL BE BOLTED OR FASTENED WITH SHEET METAL SCREWS AS SHOWN AND IN ACCORDANCE WITH PROPER FASTENING METHODS AND CODES. ANY FASTENER STRIPPED OR NOT ADEQUATELY HOLDING SHALL BE REPLACED.
- THE CONTRACTOR IS RESPONSIBLE TO INSULATE ALUMINUM MEMBERS FROM DISSIMILAR METALS TO PREVENT ELECTROLYSIS.
- WINDOWS AND DOORS SHALL BE BY OTHERS IN ACCORDANCE WITH REQUIRED WIND PRESSURES STATED IN TABLES & SHALL MEET ALL PRODUCT APPROVAL REQUIREMENTS. THIS ENCLOSURE IS NOT IMPACT RESISTANT. SHUTTERS SHALL NOT BE INSTALLED TO THIS ENCLOSURE. WHEN REQUIRED BY CODE, AN APPROVED IMPACT PROTECTION SYSTEM SHALL BE INSTALLED AT THE HOST STRUCTURE. HOST STRUCTURE DOORS AND WINDOWS ARE NOT TO BE REMOVED EXITING TO THIS ENCLOSURE. THIS ENCLOSURE IS NON-HABITABLE UNCONDITIONED SPACE.
- ALL TAPCONS MUST BE ITW CARBON STEEL TAPCONS OR EQUIVALENT W/ 1 1/2" EMBED, 3" MIN. EDGE DISTANCE (UNLESS NOTED OTHERWISE), FASTENED TO MINIMUM 3000PSI CONCRETE, SAE GRADE 5 STEEL MIN.
- MAXIMUM AVERAGE COLUMN SPACING = 6FT, MAX COLUMN HEIGHT = 12FT, MAX WALL LOAD = 62.3PSF (PER COMPONENTS & CLADDING). CONNECTIONS VALID UP TO MAX WIND VELOCITY & EXPOSURE = 180MPH, 'D'. SITE SPECIFIC ENGINEERING REQUIRED FOR ANY DETAIL WHICH DEVIATES FROM THIS PLAN OR BEYOND THESE LIMITATIONS.
- ENGINEER SEAL AFFIXED HERETO VALIDATES STRUCTURAL DESIGN AS SHOWN ONLY. USE OF THIS SPECIFICATION BY CONTRACTOR, et al. INDEMNIFIES AND SAVES HARMLESS THIS ENGINEER FOR ALL COSTS AND DAMAGES INCLUDING LEGAL FEES AND APPELLATE FEES RESULTING FROM MATERIAL FABRICATION, SYSTEM ERECTION, AND CONSTRUCTION PRACTICES BEYOND THAT WHICH IS CALLED FOR BY LOCAL, STATE, AND FEDERAL CODES AND FROM DEVIATIONS OF THIS PLAN.
- EXCEPT AS EXPRESSLY PROVIDED IN THIS SPECIFICATION, NO ADDITIONAL CERTIFICATIONS OR AFFIRMATIONS ARE INTENDED.

C.T. "GUS" TARNOWSKI  
PE0050662

FL

VALID FOR (1) JOB(S) ONLY  
VALID ONLY WITH RAISED ENGINEER SEAL

ENGINEERING BUSINESS CA 00009677

**TARNOWSKI ENGINEERING**

CIVIL & STRUCTURAL ENGINEERING  
7360 N.W. 5th Street  
Plantation, FL 33317  
Phone (954) 727 - 2027  
Fax (954) 727 - 9644

ELITE ALUMINUM CORPORATION  
4650 LYONS TECHNOLOGY PARKWAY  
COCONUT CREEK, FL 33073

Building Innovation  
**ELITE**  
Panel Products

DRWN	CHKD	DATE
WTF <td>CT <td>07/01/15</td> </td>	CT <td>07/01/15</td>	07/01/15

REMARKS	FB	CT	ISSUE
FBC2014			

COPYRIGHT TARNOWSKI ENGINEERING, INC.

00-EAC-1031

SCALE: N.T.S. 01

PAGE DESCRIPTION:

1 OF 2

C. TARNOWSKI, P.E.

