

[BCIS Home](#) | [Log In](#) | [User Registration](#) | [Hot Topics](#) | [Submit Surcharge](#) | [Stats & Facts](#) | [Publications](#) | [FBC Staff](#) | [BCIS Site Map](#) | [Links](#) | [Search](#)



Product Approval
USER: Public User

[Product Approval Menu](#) > [Product or Application Search](#) > [Application List](#) > **Application Detail**



FL #	FL8648-R4	
Application Type	Revision	
Code Version	2017	
Application Status	Approved	
Comments	Archived	
Product Manufacturer	Elite Aluminum Corporation	
Address/Phone/Email	4650 Lyons Technology Parkway Coconut Creek, FL 33073 (954) 949-3200 dk@doklengineering.net	
Authorized Signature	Frank Bennardo frank@engineeringexpress.com	
Technical Representative	Bruce Peacock	
Address/Phone/Email	4650 Lyons Technology Parkway Coconut Creek, FL 33073 (954) 949-3200 bpeacock@elitealuminum.com	
Quality Assurance Representative		
Address/Phone/Email		
Category	Exterior Doors	
Subcategory	Swinging Exterior Door Assemblies	
Compliance Method	Evaluation Report from a Florida Registered Architect or a Licensed Florida Professional Engineer Evaluation Report - Hardcopy Received	
Florida Engineer or Architect Name who developed the Evaluation Report	Frank L. Bennardo, P.E.	
Florida License	PE-0046549	
Quality Assurance Entity	QAI Laboratories	
Quality Assurance Contract Expiration Date	04/30/2021	
Validated By	Troy Bishop, P.E.	
	Validation Checklist - Hardcopy Received	
Certificate of Independence	FL8648 R4 COI Indep.pdf	
Referenced Standard and Year (of Standard)	Standard	Year
	TAS 201	1994
	TAS 202	1994
	TAS 203	1994
Equivalence of Product Standards Certified By		
Sections from the Code		

Product Approval Method	Method 1 Option D
Date Submitted	10/23/2017
Date Validated	
Date Pending FBC Approval	10/26/2017
Date Approved	12/12/2017
Date Revised	12/20/2017

Summary of Products

FL #	Model, Number or Name	Description
8648.1	Elite 3000 Aluminum Outswing Prime Entry Door	Large and Small Missile Impact Resistant Aluminum Outswing Door
Limits of Use Approved for use in HVHZ: Yes Approved for use outside HVHZ: Yes Impact Resistant: Yes Design Pressure: +75/-75 Other: Large and Small Missile Impact Resistant door for use within and outside the HVHZ		Installation Instructions FL8648_R4_II_Dwg.pdf Verified By: Frank L. Bennardo, P.E. PE0046549 Created by Independent Third Party: Yes Evaluation Reports FL8648_R4_AE_Eval.pdf Created by Independent Third Party: Yes

[Back](#) [Next](#)

Contact Us :: 2601 Blair Stone Road, Tallahassee FL 32399 Phone: 850-487-1824

The State of Florida is an AA/EEO employer. [Copyright 2007-2013 State of Florida](#). :: [Privacy Statement](#) :: [Accessibility Statement](#) :: [Refund Statement](#)

Under Florida law, email addresses are public records. If you do not want your e-mail address released in response to a public-records request, do not send electronic mail to this entity. Instead, contact the office by phone or by traditional mail. If you have any questions, please contact 850.487.1395. *Pursuant to Section 455.275(1), Florida Statutes, effective October 1, 2012, licensees licensed under Chapter 455, F.S. must provide the Department with an email address if they have one. The emails provided may be used for official communication with the licensee. However email addresses are public record. If you do not wish to supply a personal address, please provide the Department with an email address which can be made available to the public. To determine if you are a licensee under Chapter 455, F.S., please click [here](#).

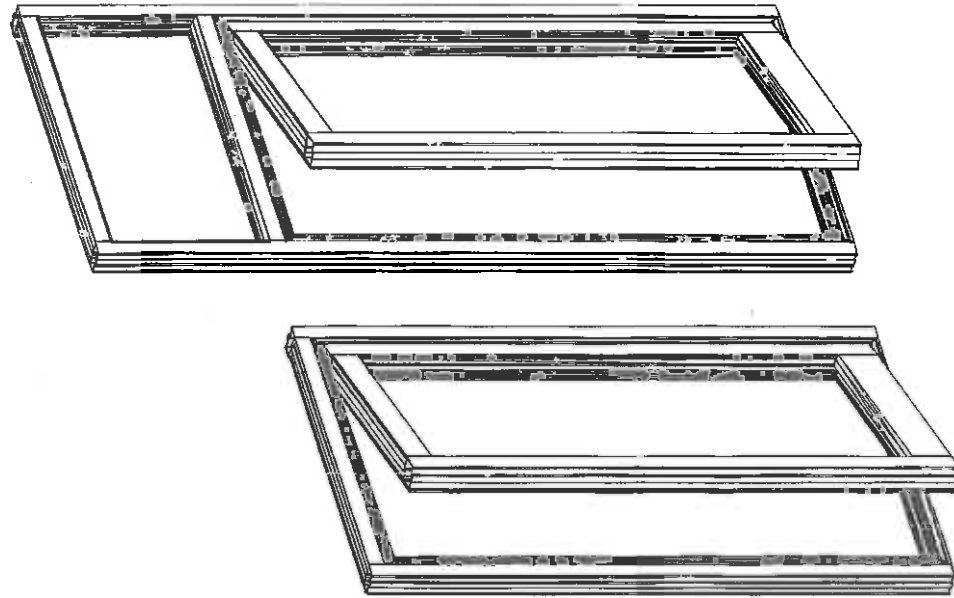


Credit Card
Safe



ELITE 3000

ALUMINUM OUTSWING PRIME ENTRY DOOR LARGE AND SMALL MISSILE (LEVEL "D" IMPACT RESISTANT)



SHEET INDEX	
# SHEET	DESCRIPTION
1	COVER SHEET
2	ELEVATIONS
3-6	DETAILS
7-8	ANCHORING SCHEDULE
9	PARTS & PARTS LIST
10	FRAME ASSEMBLY

MAXIMUM PRESSURE RATING = -75/+75 Psf (ASD)

DESIGN NOTES:

POSITIVE AND NEGATIVE DESIGN PRESSURES CALCULATED FOR USE WITH THIS SYSTEM SHALL BE DETERMINED BY THE CONTRACTOR ON A CASE-BY-CASE BASIS IN ACCORDANCE WITH THE GOVERNING CODE. SITE-SPECIFIC PRESSURE REQUIREMENTS SHALL BE DETERMINED BY THE CONTRACTOR IN ACCORDANCE WITH ASCE 7-10 AND CHAPTER 1609 OF THE FLORIDA BUILDING CODE SIXTH EDITION (2017). THE CONTRACTOR SHALL VERIFY THAT THE POSITIVE OR NEGATIVE DESIGN PRESSURE CAPACITY VALUES LISTED HEREIN FOR ANY ASSEMBLY ASSEMBLY APPROVAL.

GENERAL NOTES:

- THIS SYSTEM DESCRIBED HEREIN HAS BEEN DESIGNED AND TESTED IN ACCORDANCE WITH THE FLORIDA BUILDING CODE SIXTH EDITION (2017) PER TAS 201 / 202 / 203 TEST STANDARD FOR USE WITHIN AND OUTSIDE THE HIGH VELOCITY HURRICANE ZONE (HVHZ).
- DESIGN PRESSURES NOTED HEREIN ARE BASED ON ALLOWABLE STRESS DESIGN (ASD).
- PANELS GLAZED WITH 9/16" (0.540") LAMINATED GLASS ARE LARGE MISSILE IMPACT RESISTANT AND DO NOT REQUIRE IMPACT RESISTANT SHUTTERS.
- NO 33-1/3% INCREASE IN ALLOWABLE STRESS HAS BEEN USED IN THE DESIGN OF THIS SYSTEM. WIND LOAD DURATION FACTOR Cd=1.6 HAS BEEN USED FOR WOOD ANCHOR DESIGN.
- THE ARCHITECT/ENGINEER OF RECORD FOR THE PROJECT SUPERSTRUCTURE WITH WHICH THIS DESIGN IS USED, SHALL BE RESPONSIBLE FOR THE INTEGRITY OF ALL SUPPORTING SURFACES TO THIS DESIGN WHICH SHALL BE THE PERMITTING CONTRACTOR, WOOD BUCKS (BY OTHERS) SHALL BE ANCHORED PROPERLY TO TRANSFER LOADS TO THE EXISTING STRUCTURE.
- THE SYSTEM DETAILED HEREIN IS GENERIC AND DOES NOT PROVIDE INFORMATION FOR A SPECIFIC SITE. FOR SITE CONDITIONS DIFFERENT FROM THE CONDITIONS DETAILED HEREIN, A LICENSED ENGINEER OR REGISTERED ARCHITECT SHALL PREPARE SITE SPECIFIC DOCUMENTS FOR USE IN CONJUNCTION WITH THIS DOCUMENT.
- ALL ALUMINUM EXTRUSION SHALL BE EQUIVALENT TO OR GREATER THAN THE ALUMINUM ALLOYS AND TEMPSERS AS SPECIFIED IN THE BILL OF MATERIALS. SEE SHEET 3 FOR MORE INFORMATION.
- GLAZING DETAILS ILLUSTRATED HEREIN UTILIZE KURARAY AMERICA INC. - SENTRYGLAS INTERLAYER I.O.A.# 14-0916.11 - 0.090 THK.
- ALL FASTENERS TO BE 1/2" SAE GRADE 8 STEEL UNLESS NOTED OTHERWISE. FASTENERS SHALL BE CADMIUM-PLATED OR OTHERWISE CORROSION-RESISTANT MATERIALS AS REQUIRED FOR THE APPLICABLE FEDERAL, STATE, AND/OR LOCAL CODES.
- THE CONTRACTOR IS RESPONSIBLE TO INSULATE ALL MEMBERS FROM DISSIMILAR MATERIALS TO PREVENT ELECTROLYSIS.
- ENGINEER SEAL AFFIXED HERE TO VALIDATES STRUCTURAL DESIGN AS SHOWN ONLY. USE OF THIS SPECIFICATION BY CONTRACTOR, et. al. INDENRIFIES & SAVES HARMLESS THIS ENGINEER FOR ALL COST & DAMAGES INCLUDING LEGAL FEES & APPELLATE FEES RESULTING FROM MATERIAL FABRICATION, SYSTEM ERECTORS, AND CONTRACTORS BEYOND THAT WHICH IS CALLED FOR BY LOCAL, STATE, & FEDERAL CODES & FROM DEVIATIONS OF THIS PLAN.
- EXCEPT AS EXPRESSLY PROVIDED HEREIN, NO ADDITIONAL CERTIFICATIONS OR AFFIRMATIONS ARE INTENDED.
- ALTERATIONS, ADDITIONS, OR OTHER MARKINGS TO THIS DOCUMENT ARE NOT PERMITTED AND INVALIDATE THIS CERTIFICATION.
- PRODUCT SHALL BE PERMANENTLY LABELED WITH A MINIMUM OF ONE LABEL PER WINDOW CONTAINING THE FOLLOWING:
ELITE ALUMINUM CORPORATION
4450 LYONS TECHNOLOGY PARKWAY
COCONUT CREEK, FLORIDA 33073
TAS 201/202/203
APPROVED BY FLORIDA BUILDING COMMISSION
FLORIDA PRODUCT APPROVAL NUMBER FL#8648.1
- THE SYSTEM DETAILED HEREIN HAS BEEN TESTED PER THE TEST STANDARD(S) LISTED ABOVE AS REFERENCED IN TEST REPORTS #HET-05-2369, HET-06-4070 AND HET-06-4071 BY HURRICANE ENGINEERING & TESTING, INC (HETI).

DOOR HARDWARE:

- HINGES: (3) MECHANICAL PART NO. 1145/53 SAVIO HINGE (SEE ELEVATION VIEW FOR HINGE LOCATIONS).
- LOCK: DEAD BOLT LOCK MODEL D83231 BY TACO WITH TASS5 TACO LOCK CYLINDER

FRANK L. BERNARD, P.E.
17709085
No. PE00046549
STATE OF FLORIDA
REGISTERED PROFESSIONAL ENGINEER
EX-12788
DEERFIELD BEACH, FL 33442
CORPORATE OFFICE
160 SW 12th AVE, SUITE 200
DEERFIELD BEACH, FL 33442
E: FRANK@ENGINEERINGPROFESSIONALS.COM
P: (561) 324-0888
CERT. OF AUTH. #8888

DATE: 10/20/2017

ELITE ALUMINUM
Building Innovation
Panel Products

4450 LYONS TECHNOLOGY PARKWAY
COCONUT CREEK, FL 33073

ELITE 3000 OUTSWING PRIME ENTRY DOOR
MISSILE LEVEL "D" IMPACT RESISTANT
FLORIDA STATEWIDE APPROVAL FL#8648.1

NO.	REVISION	DATE	BY	DESCRIPTION
1				
2				
3				
4				
5				
6				
7				
8				
9				
10				

14-1440
10
1

MARK I. BERNIMICO, P.E.
P.E. No. 12549

NO PEOPLES RANK
2017
No PEOPLE'S RANK
No PEOPLE'S RANK

STATE OF FLORIDA
PROFESSIONAL ENGINEER
CORPORATE OFFICE
160 SW 126th Ave, Suite 100
Deerfield Beach, FL 33442
E: HELLO@ENGINEERINGEXPRESSIONS.COM
P: (561) 394-8888 F: (561) 394-4444
CERT. OF AUTH. #9885

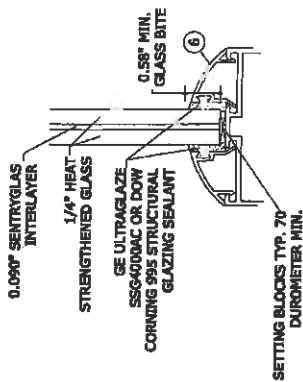
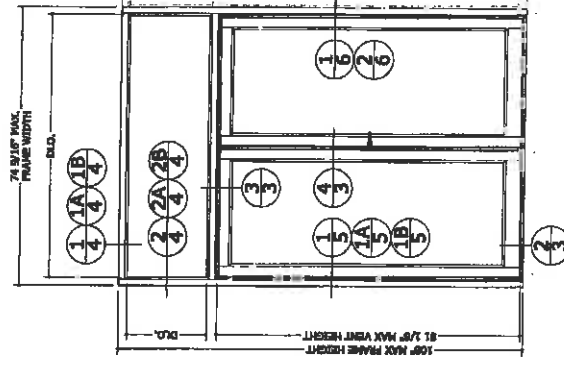
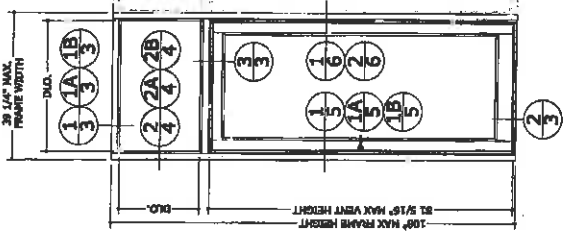
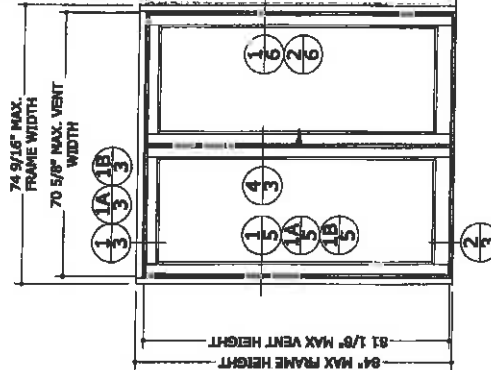
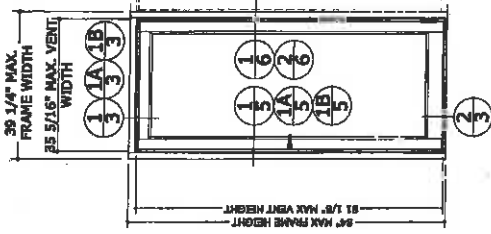
ELITE CORPORATION
Building Innovation
Panel Products
4650 LYONS TECHNOLOGY PARKWAY
COCONUT CREEK, FL 33073
ELITE 3000 OUTSWING PFDRE ENTRY DOOR
MISSILE LEVEL, D' IMPACT RESISTANT
FLORIDA STATEWIDE APPROVAL #186401

REV	DATE	DESCRIPTION
1	12/11/17	ISSUED FOR PERMITS
2	01/22/18	REVISED PER PERMITS
3	02/01/18	REVISED PER PERMITS
4	02/01/18	REVISED PER PERMITS
5	02/01/18	REVISED PER PERMITS
6	02/01/18	REVISED PER PERMITS
7	02/01/18	REVISED PER PERMITS
8	02/01/18	REVISED PER PERMITS
9	02/01/18	REVISED PER PERMITS
10	02/01/18	REVISED PER PERMITS

14-1440
SCALE: NTS UNLESS NOTED
10

2

TYPICAL ELEVATIONS

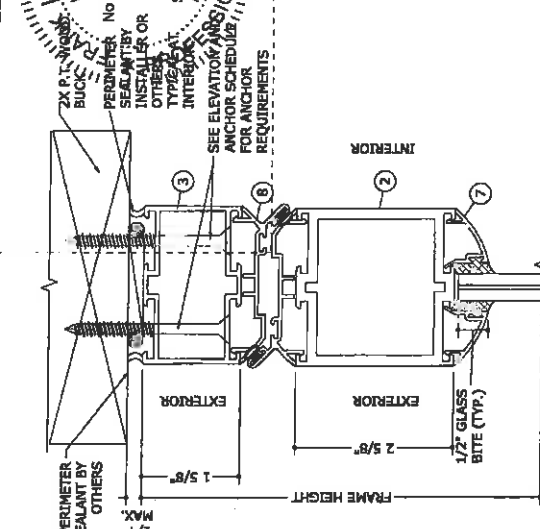


GLASS TYPE **A**
GLAZING DETAIL
VERT SECT
N.T.S.

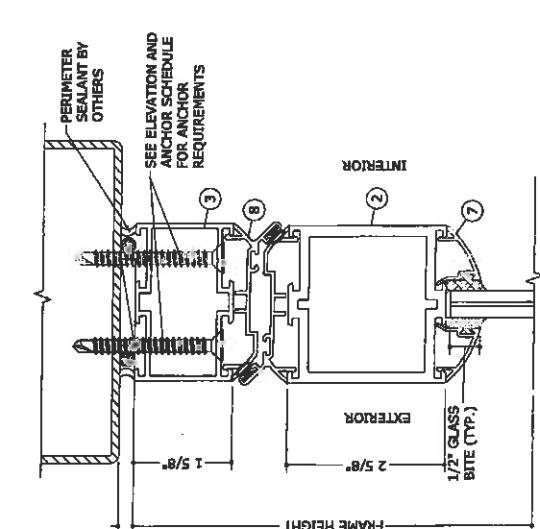
PERMIT L. GONZALEZ, P.E.
 150 SW 12th Ave, Suite 200
 Deerfield Beach, FL 33442
 DEERFIELD BEACH, FL 33442
 ENGINEERING EXPRESS
 COMPANY OF FLORIDA
 4650 LYONS TECHNOLOGY PARKWAY
 COCONUT CREEK, FL 33073
 ELITE 3000 OUTSWING FRAME ENTRY DOOR
 MISSILE LEVEL, D* IMPACT RESISTANT
 FLORIDA STATEWIDE APPROVAL-FL#648.1

ELITE CORPORATION
 Building Innovation
 Panel Products
 14-1440
 10

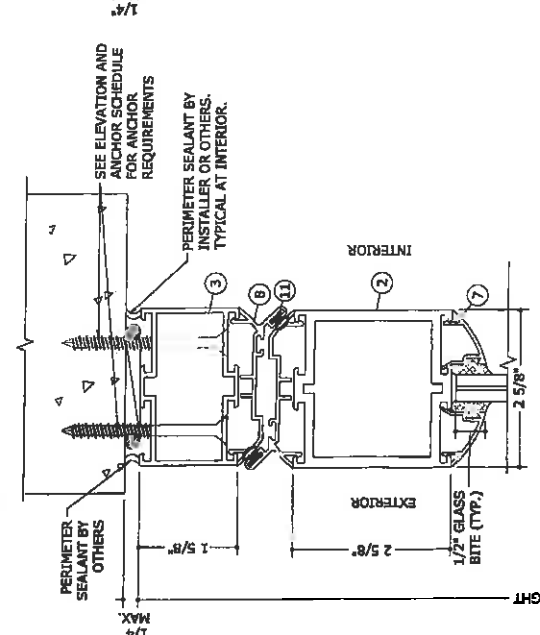
REV	DATE	DESCRIPTION
1	01/20/17	ISSUE FOR PERMITS
2	02/15/17	REVISED PER PERMITS
3	03/15/17	REVISED PER PERMITS
4	04/15/17	REVISED PER PERMITS
5	05/15/17	REVISED PER PERMITS
6	06/15/17	REVISED PER PERMITS
7	07/15/17	REVISED PER PERMITS
8	08/15/17	REVISED PER PERMITS
9	09/15/17	REVISED PER PERMITS
10	10/15/17	REVISED PER PERMITS



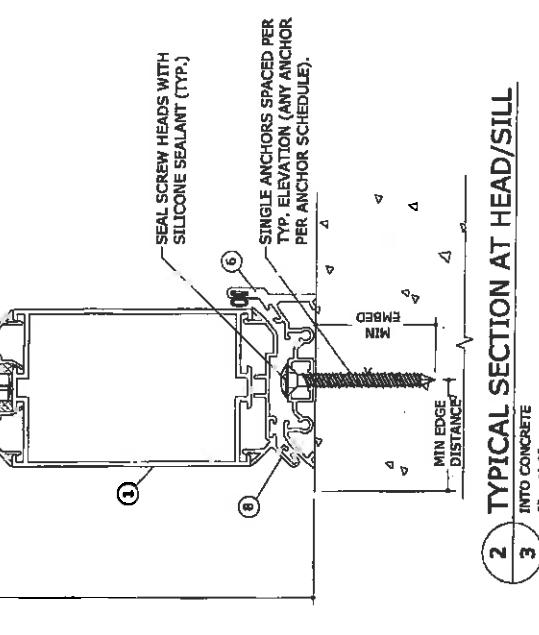
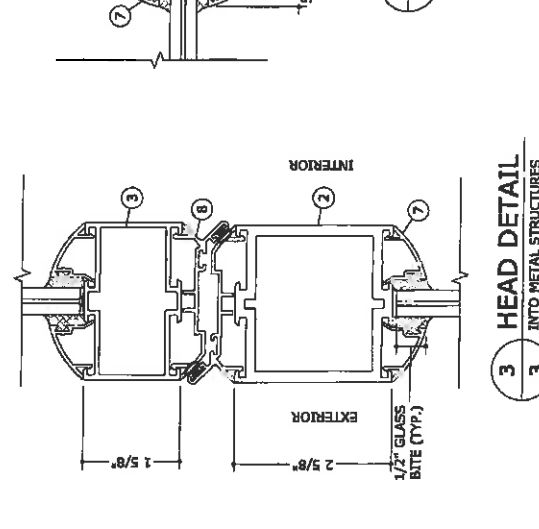
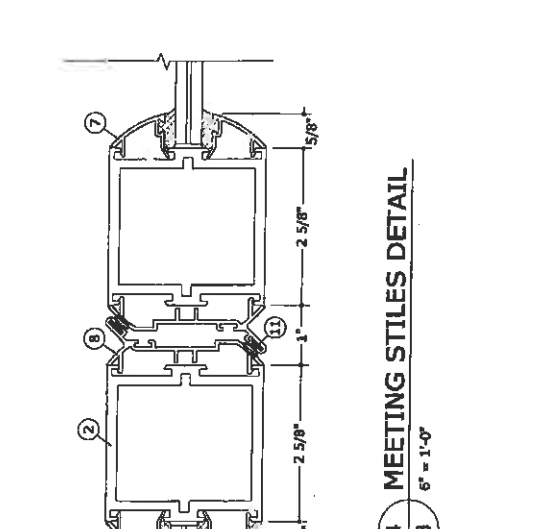
1A HEAD DETAIL
 INTO METAL STRUCTURES
 6" x 1'-0"



1B HEAD DETAIL
 INTO WOOD STRUCTURES
 6" x 1'-0"



2 TYPICAL SECTION AT HEAD/SILL
 INTO CONCRETE
 6" x 1'-0"



3A MEETING STILES DETAIL
 6" x 1'-0"

3B HEAD DETAIL
 INTO METAL STRUCTURES
 6" x 1'-0"

3C HEAD DETAIL
 INTO WOOD STRUCTURES
 6" x 1'-0"

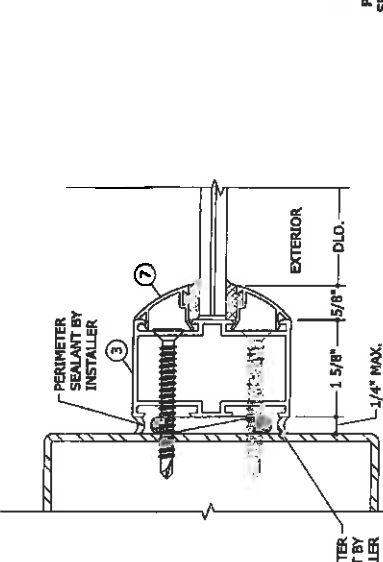
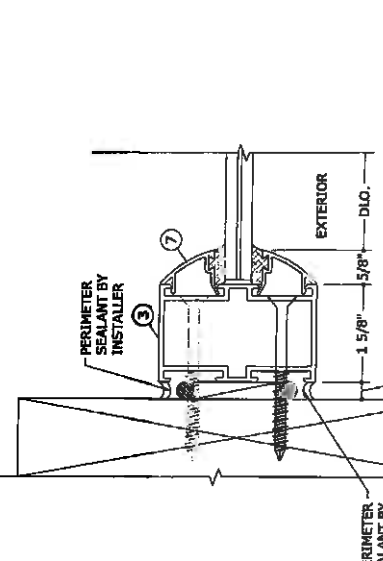
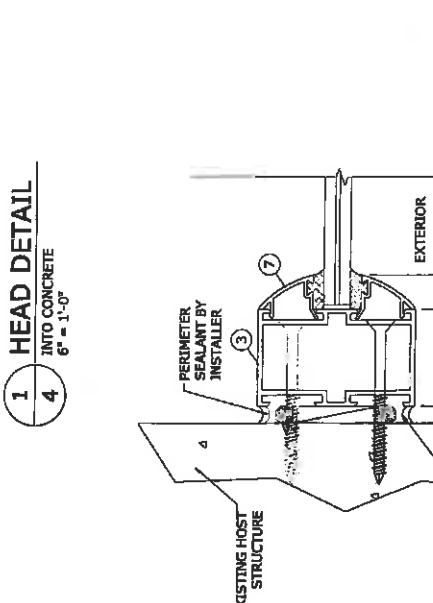
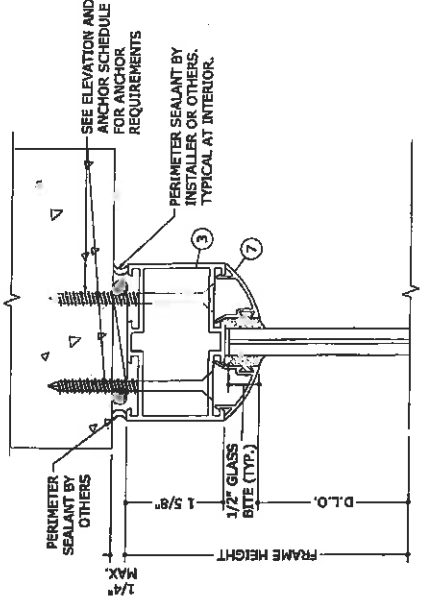
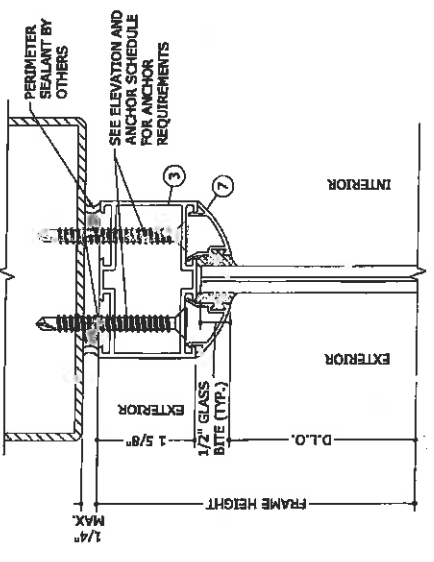
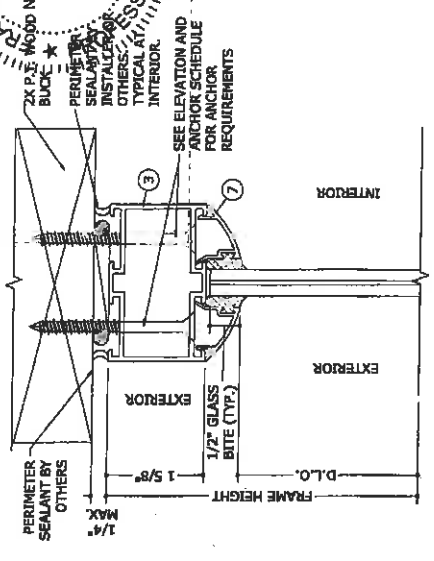
ELITE ENGINEERS
 4550 LYONS TECHNOLOGY PARKWAY
 COCONUT CREEK, FL 33073
 MISSILE LEVEL, 0" IMPACT RESISTANT
 FLORIDA STATEWIDE APPROVAL-FL#6449.1
 E: HELLO@ENGINEERS.COM
 P: (561) 284-0988 F: (561) 284-0988
 160 SW 12th Ave, Suite 200
 Deerfield Beach, FL 33441
 CENT. OF ALTH #3623

ELITE CORPORATION Blasting Innovation

REV	DESCRIPTION	DATE	DRAWN	CHKD	DATE
1	PERFORM FOR 2500 PFC	07/20/17			
2	PERFORM FOR 2500 PFC	07/20/17			
3	PERFORM FOR 2500 PFC	07/20/17			
4	PERFORM FOR 2500 PFC	07/20/17			

CONTRACT NUMBER: 14-1440
 14-1440
 10

RANK L. BERNHARDT, P.E.
 PRC 14-1440

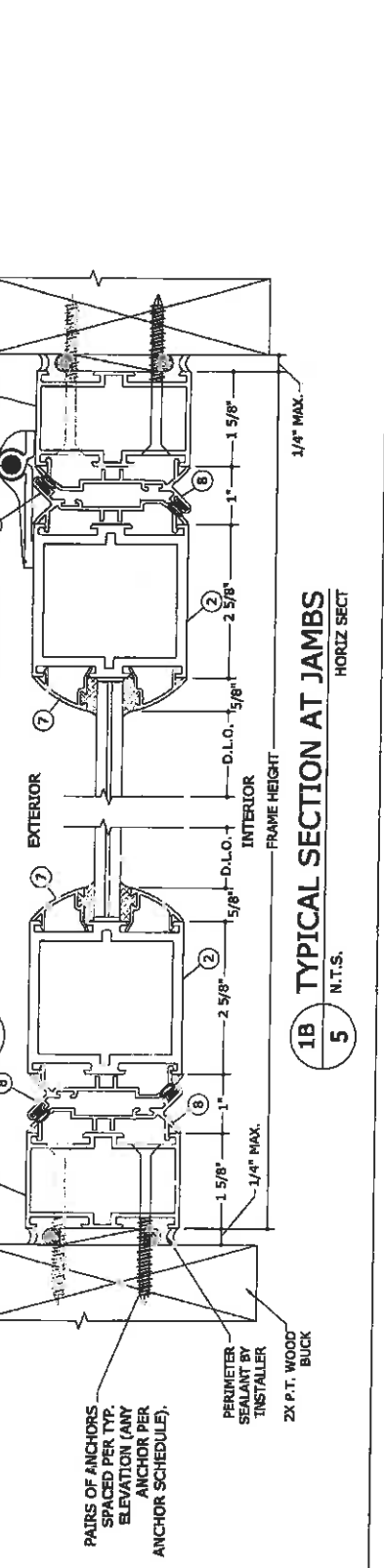
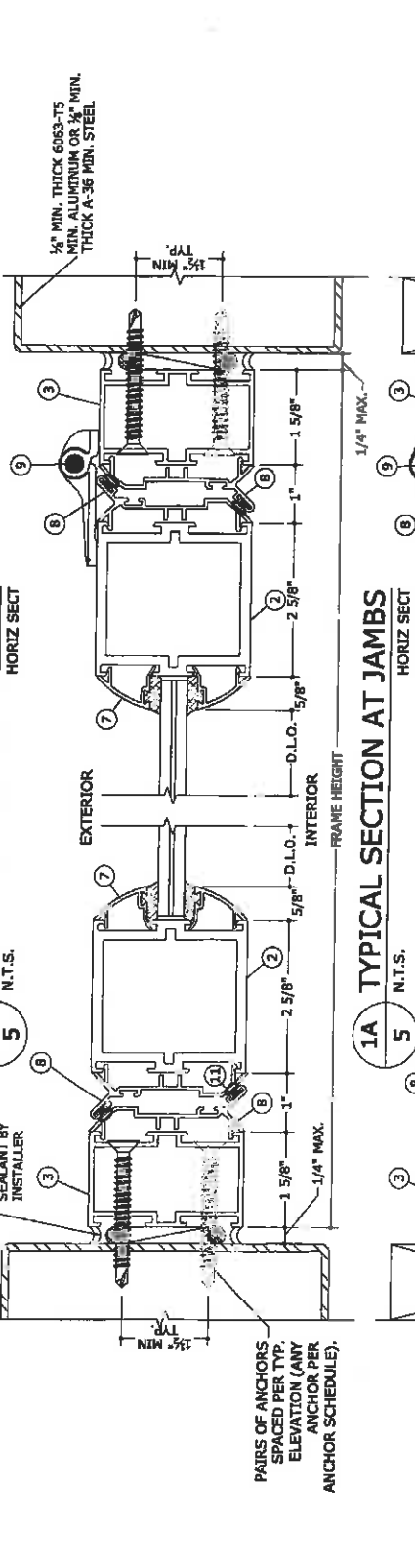
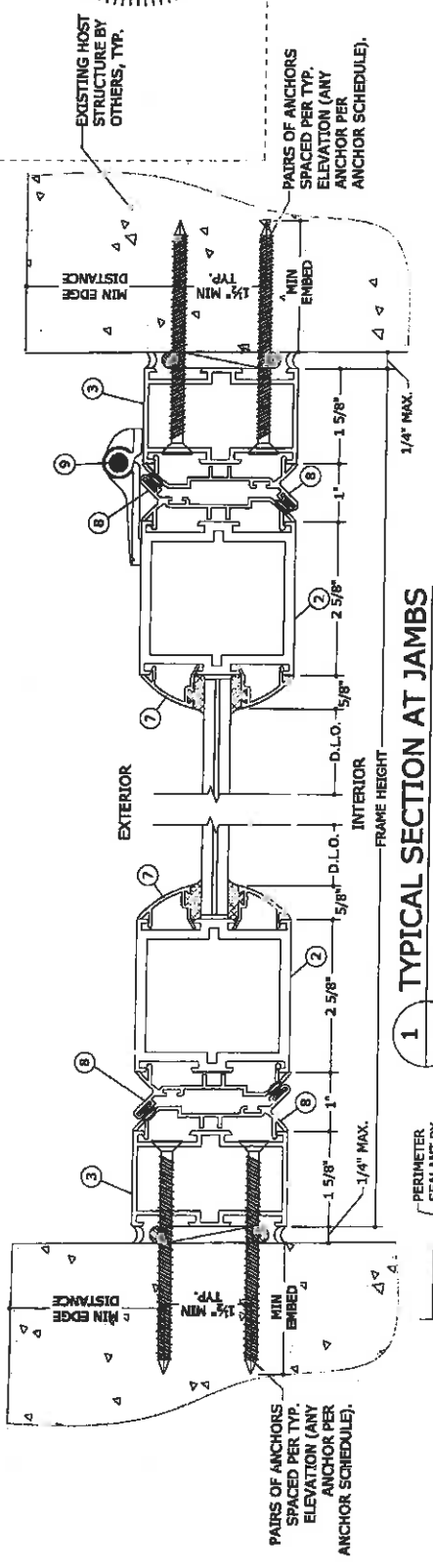


FRANK L. BERNARDINO, P.E.
PROFESSIONAL ENGINEER
No. PE 15072
12/21/2017
STATE OF FLORIDA
PROFESSIONAL ENGINEER
CORPORATE OFFICE
EXPRESS
160 SW 25th Ave, Suite 200
DERRFIELD BEACH, FL 33444
(904) 246-4945
E: HELD@EXPRESS.COM
ENGINEERING@EXPRESS.COM
CENT. OF AUTH. #9883

ELITE CORPORATION
Building Innovation
4650 LYONS TECHNOLOGY PARKWAY
COCONUT CREEK, FL 32073
ELITE 3000 OUTSWING PRIME ENTRY DOOR
MISSILE LEVEL, D' IMPACT RESISTANT
FLORIDA STATEWIDE APPROVAL-FL#8648.1

REVISION	DATE	BY	DESCRIPTION
1	08/22/2017	JLB	ISSUE FOR PERMIT
2	09/15/2017	JLB	REVISED PER COMMENTS
3	10/10/2017	JLB	REVISED PER COMMENTS
4	11/15/2017	JLB	REVISED PER COMMENTS
5	12/21/2017	JLB	REVISED PER COMMENTS

14-1440
3/10
5



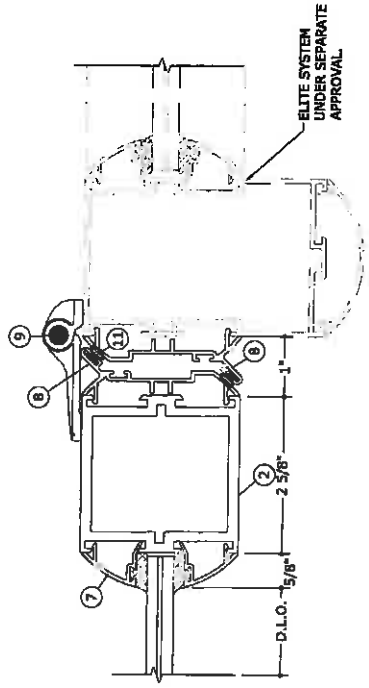
FRANK L. BERNARDI, P.E.
 No PECC (License No. 12017)
 STATE OF FLORIDA
 PROFESSIONAL ENGINEER
 DEERFIELD BEACH, FL 33442
 ELITE ENGINEERING CORPORATION
 160 SW 12th Ave, Suite 200
 Deerfield Beach, FL 33442
 (561) 894-0988
 (561) 894-0988
 E: INFO@ELITEENGINEERING.COM
 ENGINEERING@ELITEENGINEERING.COM
 FLORIDA STATEWIDE APPROVAL #18648.1

ELITE ALUMINUM CORPORATION
 Building Innovation
Elite Panel Products
 4650 LYONS TECHNOLOGY PARKWAY
 COCCOULT CREEK, FL 33073
 ELITE 3000 OUTSWING PRIME ENTRY DOOR
 MISSILE LEVEL, "D" IMPACT RESISTANT
 FLORIDA STATEWIDE APPROVAL #18648.1

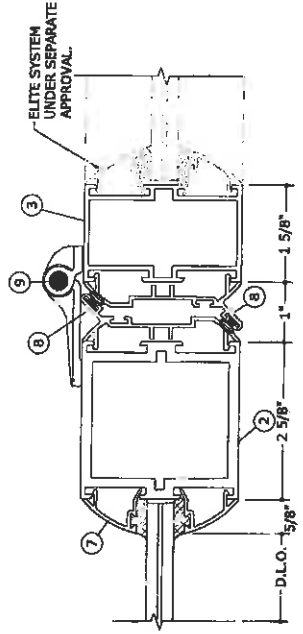
REVISIONS	DATE	BY	DESCRIPTION
1	08/22/08	PLB	ISSUE FOR PERMITS
2	12/20/08	CL	REVISED PER PERMITS
3	12/18/11	TRB	REVISED PER PERMITS
4	01/28/15	TRB	REVISED PER PERMITS
5	01/28/15	TRB	REVISED PER PERMITS
6	10/28/17	TRB	REVISED PER PERMITS

14-1440
 10
 SOCIAL INTR. UNLESS NOTED

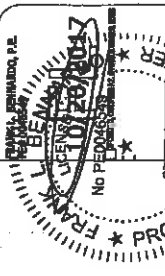
FRANK L. BERNARDI, P.E.
 No PECC (License No. 12017)
 STATE OF FLORIDA
 PROFESSIONAL ENGINEER
 DEERFIELD BEACH, FL 33442
 ELITE ENGINEERING CORPORATION
 160 SW 12th Ave, Suite 200
 Deerfield Beach, FL 33442
 (561) 894-0988
 (561) 894-0988
 E: INFO@ELITEENGINEERING.COM
 ENGINEERING@ELITEENGINEERING.COM
 FLORIDA STATEWIDE APPROVAL #18648.1



2 DOOR JAMB AT SIDELITE
 6 N.T.S.



1 DOOR JAMB AT SIDELITE
 6 N.T.S.



ENGINEERING EXPRESS
 CORPORATE OFFICE
 160 SW 12th Ave, Suite 300
 Deerfield Beach, FL 33442
 P (561) 391-0989 F (561) 391-4146
 E: HELL@ENGINEERINGEXPRESS.COM
 ENGINEERINGEXPRESS.COM
 DIST. OF AUTH. #9885

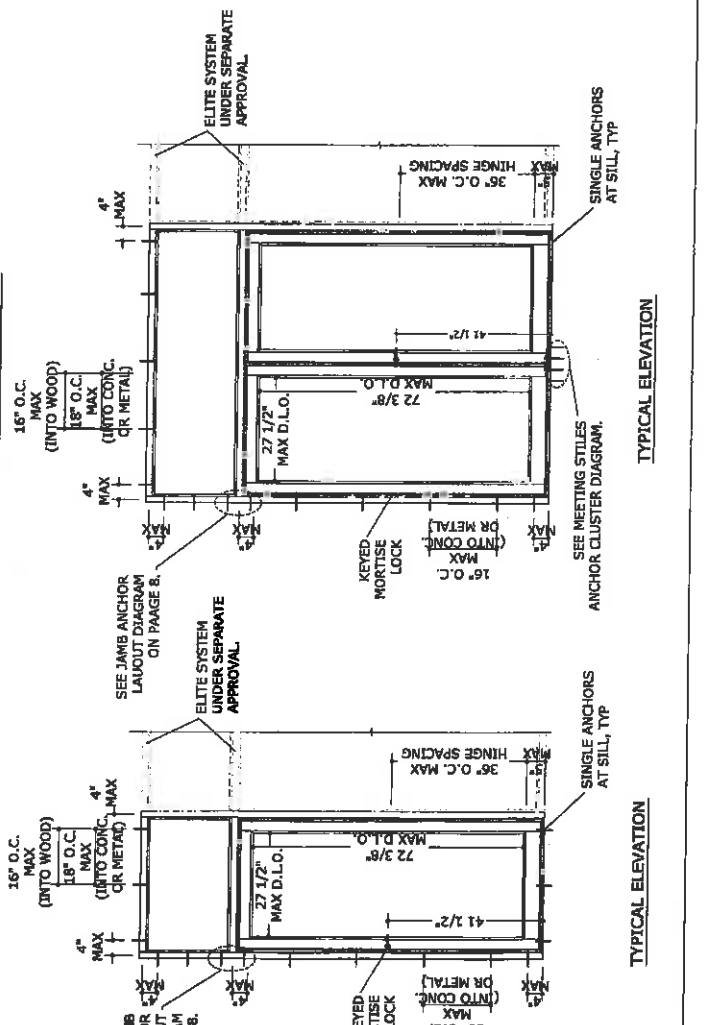
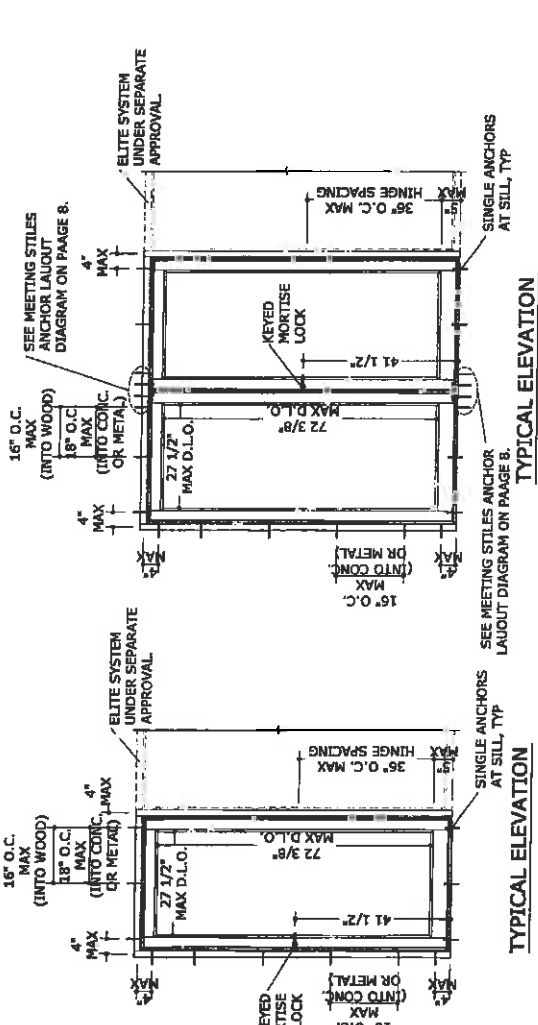
ELITE ALUMINUM CORPORATION
 4650 LYONS TECHNOLOGY PARKWAY
 COCONUT CREEK, FL 33073
 MISSILE LEVEL, 1/2" IMPACT RESISTANT
 ELITE 3000 OUTSWING PRIME ENTRY DOOR
 FLORIDA STATEWIDE APPROVAL #8849.1

REV	DATE	DESCRIPTION
1	07/18/17	ISSUED FOR PERMITTING
2	07/18/17	REVISED PER COMMENTS
3	07/18/17	REVISED PER COMMENTS
4	07/18/17	REVISED PER COMMENTS
5	07/18/17	REVISED PER COMMENTS
6	07/18/17	REVISED PER COMMENTS
7	07/18/17	REVISED PER COMMENTS
8	07/18/17	REVISED PER COMMENTS
9	07/18/17	REVISED PER COMMENTS
10	07/18/17	REVISED PER COMMENTS

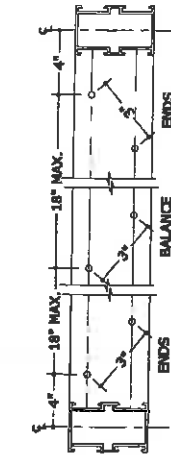
14-1440
 SCALE: ITS UNLESS NOTED
 10

TYPICAL ANCHORS:

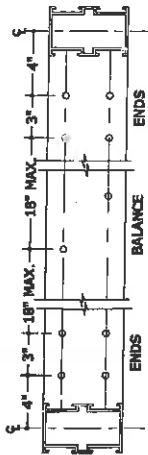
TYPE 'A'	TYPE 'B'	TYPE 'C'	METAL
DIRECTLY INTO CONCRETE OR GROUT FILLED BLOCK (3000 PSI. MIN. / Fm=2000 Psi MIN.) 5/16" DIA. ULTRACON BY 'ELCO' (Fu=177 KSI, Py=155 KSI) 1-1/2" MIN. EMBEDMENT	INTO 2BY WOOD BUCKS OR WOOD STRUCTURES (STP#2 G=0.55 MIN. 1 1/2" MIN. THICKNESS) 5/16" DIA. ULTRACON BY 'ELCO' (Fu=177 KSI, Py=155 KSI) 1-1/2" MIN. PENETRATION	INTO METAL STRUCTURES (3 PINCHES PASS THE THREAD PLANE MIN.) STEEL: 1/2" THK MIN. (Fy=36 KSI MIN) ALUMINUM: 1/8" THK MIN. (6063-T5 MIN) 5/16-24 DIA. DRILL-FLEX BY 'ELCO' (GRADE 5 MIN) (STEEL IN CONTACT WITH ALUMINUM TO BE PLATED OR PAINTED)	TYPICAL EDGE DISTANCE INTO CONCRETE/HOLLOW BLOCK/GROUT FILLED BLOCK= 2-1/2" MIN. INTO WOOD STRUCTURE = 1" MIN. INTO METAL STRUCTURE = 3/4" MIN.



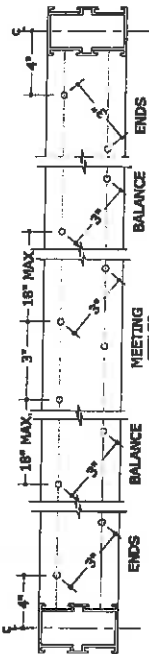
ANCHOR LAYOUT DIAGRAMS



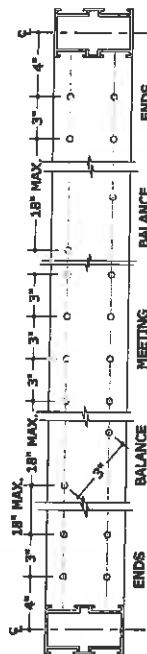
**SINGLE DOOR HEAD ANCHOR LAYOUT
(INTO CONCRETE OR METAL)**



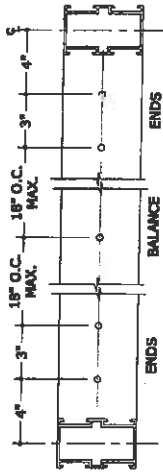
**SINGLE DOOR HEAD ANCHOR LAYOUT
(INTO WOOD)**



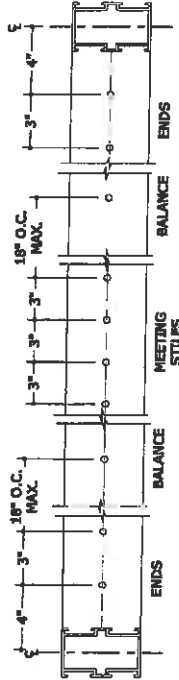
**DOUBLE DOOR HEAD ANCHOR LAYOUT
(INTO CONCRETE OR METAL)**



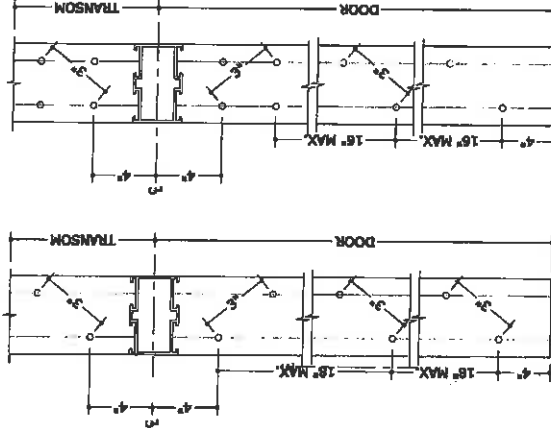
**DOUBLE DOOR HEAD ANCHOR LAYOUT
(INTO WOOD)**



**SINGLE DOOR THRESHOLD ANCHOR LAYOUT
(INTO CONCRETE)**



**DOUBLE DOOR THRESHOLD ANCHOR LAYOUT
(INTO CONCRETE)**



**JAMB ANCHOR LAYOUT
(INTO CONCRETE OR METAL)**

**JAMB ANCHOR LAYOUT
(INTO WOOD)**

FRANK L. BERNARDO, P.E.
Professional Engineer
No PE/RES/SEALED
STATE OF FLORIDA
REGISTERED PROFESSIONAL ENGINEER

EXPRESS ENGINEERING CORPORATION
160 SW 12th Ave, Suite 234
Deerfield Beach, FL 33442
P (561) 394-0992 F (561) 394-0943
E: HELLO@ENGINEERINGEXPRESS.COM
ENGINEERINGEXPRESS.COM
CERT OF AUTH #3985

ELITE ALUMINUM CORPORATION
Building Innovation
Panel Products

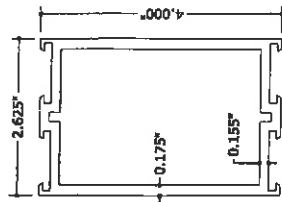
4650 LYONS TECHNOLOGY PARKWAY
COCONUT CREEK, FL 33073

ELITE 3000 OUTSWING PRIME ENTRY DOOR
MISSILE LEVEL, 17" IMPACT RESISTANT
FLORIDA STATEWIDE APPROVAL-FL#8648.1

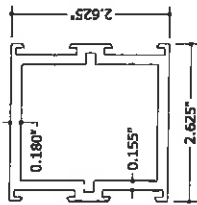
REVISION	DATE	DESCRIPTION
1	02/20/17	ISSUED FOR PERMIT
2	02/20/17	REVISED FOR PERMIT
3	02/20/17	REVISED FOR PERMIT
4	02/20/17	REVISED FOR PERMIT
5	02/20/17	REVISED FOR PERMIT
6	02/20/17	REVISED FOR PERMIT
7	02/20/17	REVISED FOR PERMIT
8	02/20/17	REVISED FOR PERMIT
9	02/20/17	REVISED FOR PERMIT
10	02/20/17	REVISED FOR PERMIT

14-1440
SCALE: UNLESS NOTED
10

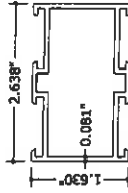




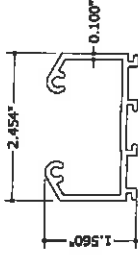
1 **BOTTOM RAIL**
6063-T6
N.T.S.



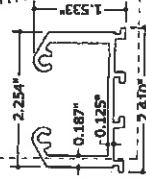
2 **VENT STILES/RAILS**
6063-T5
N.T.S.



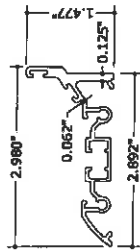
3 **FRAME HEAD/JAMB**
6063-T5
N.T.S.



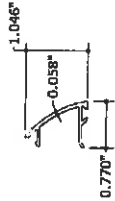
4 **FRAME CORNER BRACKET**
6063-T5
N.T.S.



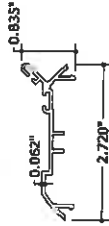
5 **VENT CORNER BRACKET**
6063-T6
N.T.S.



6 **SILL**
N.T.S. 6063-T5



7 **PANEL CLIP**
N.T.S. 6063-T6



8 **DOOR SNAP**
N.T.S. 6063-T6

FRANK L. STEWART, P.E.
Professional Engineer
No. PE0046558
08/28/2017
START OF FLOOR

ENGINEERING EXPRESS
CORPORATE OFFICE
160 SW 12th AVE, SUITE 3342
DEERFIELD BEACH, FL 33442
P (904) 994-0498
E: HELLO@ENGINEERINGEXPRESS.COM
1000 UNIVERSITY BLVD, SUITE 100
WEST PALM BEACH, FL 33411
P (904) 994-0498
CERT. OF AUTH. #9888

ELITE ALUMINUM
Building Knowledge

ELITE Panel Products

4650 LYONS TECHNOLOGY PARKWAY
COONUT CREEK, FL 33073

ELITE 3000 OUTSWING PRIME ENTRY DOOR
MISSILE LEVEL D' IMPACT RESISTANT
FLORIDA STATEWIDE APPROVAL-FL#8648.1

ITEM NO.	REV.	DATE	DESCRIPTION
001	1	02/22/08	ISSUE FOR PRC
002	1	02/22/08	ISSUE FOR PRC
003	1	02/22/08	ISSUE FOR PRC
004	1	02/22/08	ISSUE FOR PRC
005	1	02/22/08	ISSUE FOR PRC
006	1	02/22/08	ISSUE FOR PRC
007	1	02/22/08	ISSUE FOR PRC
008	1	02/22/08	ISSUE FOR PRC
009	1	02/22/08	ISSUE FOR PRC
010	1	02/22/08	ISSUE FOR PRC

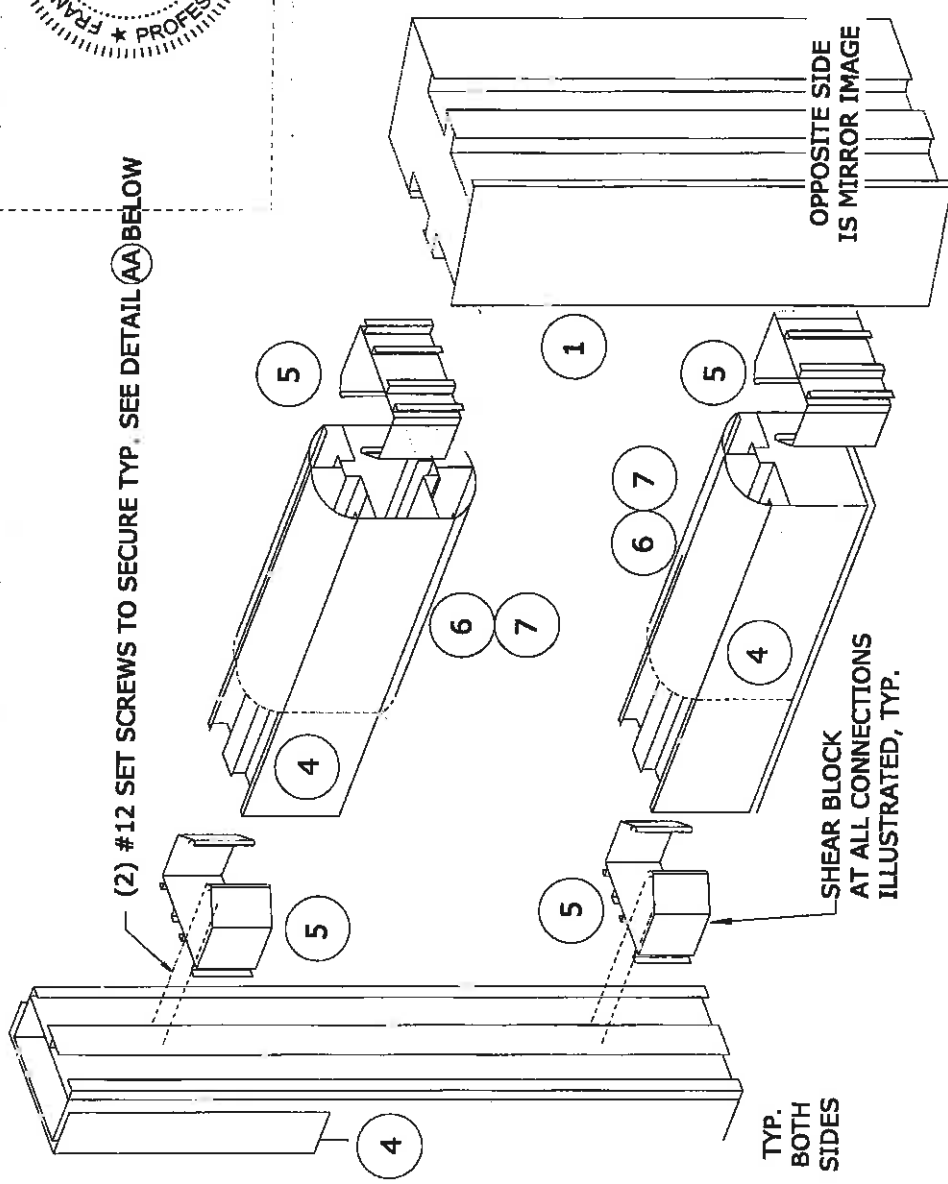
14-1440

ISSUE DATE UNLESS NOTED

10

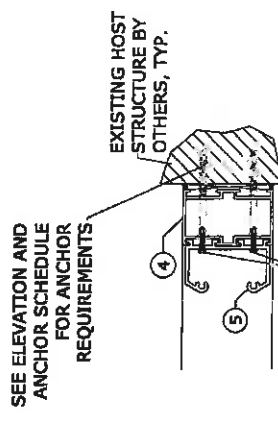
Bill of Materials

PART #	DESCRIPTION	MATERIAL	REMARKS
1	BOTTOM RAIL	6063-T6	-
2	VENT STILES/RAILS	6063-T5	-
3	FRAME HEAD/JAMB	6063-T5	-
4	FRAME CORNER KEY	6063-T5	-
5	VENT CORNER KEY	6063-T5	-
6	SILL	6063-T6	-
7	PANEL CLIP	6063-T6	-
8	DOOR SNAP	6063-T6	-
9	MECHANICA HINGES	-	BY SAVIO
10	DEAD BOLT LOCK	-	BY TACO
11	Q-LON WEATHER SEAL	-	SCHLEGEL
12	WOOL PILE WITH FIN	-	-
13	0.22" DIAMETER BULB GASKET	VINYL	-



FRAME ASSEMBLY DETAIL

NOTE:
 SEAL ALL CORNERS WITH
 DOW 795 SILICONE OR
 C.R. LAURENCE SJ68
 NARROW JOINT SEALER.



SEE ELEVATION AND ANCHOR SCHEDULE FOR ANCHOR REQUIREMENTS

(2) #12 SMS PER CONNECTION BRACKET TO PERIMETER EXTRUSION

EXISTING HOST STRUCTURE BY OTHERS, TYP.

CONNECTION BRACKET DETAIL
 N.T.S. SECTION

(2) #12 SET SCREWS TO SECURE TYP. SEE DETAIL AA BELOW

FRANK T. BEAN, P.E.
 PROFESSIONAL ENGINEER
 STATE OF FLORIDA
 No. 100787
 EXPIRES 10/31/2017

ENGINEERING EXPRESS
 ENGINEERING EXPERTS
 160 SW 12th Ave, Suite 204
 Deerfield Beach, FL 33442
 P: (954) 266-0888 F: (954) 266-0440
 E: H.H.O@ENGINEERINGEXPRESS.COM

CENT. OF AUTH. #9335

ELITE ALUMINUM CORPORATION
 4850 LYONS TECHNOLOGY PARKWAY
 COCONUT CREEK, FL 33073

Elite Products
 ELITE CORPORATION

ELITE 3000 OUTSWING FRAME ENTRY DOOR
 MISSILE LEVEL, P7 IMPACT RESISTANT
 FLORIDA STATEWIDE APPROVAL FL #6648.1

ITEM NO.	DESCRIPTION	QTY	UNIT	DATE
1	ELITE 3000 OUTSWING FRAME ENTRY DOOR	1	EA	01/15/14
2	(2) #12 SET SCREWS TO SECURE TYP.	2	PCS	01/15/14
3	SHEAR BLOCK AT ALL CONNECTIONS ILLUSTRATED, TYP.	1	EA	01/15/14
4	CONNECTION BRACKET	1	EA	01/15/14
5	PERIMETER EXTRUSION	1	EA	01/15/14
6	DOW 795 SILICONE	1	EA	01/15/14
7	C.R. LAURENCE SJ68 NARROW JOINT SEALER	1	EA	01/15/14

14-1440
 10



October 20, 2017

Application Number: FL# 8648.1-R4
EX Project Number: 14-1440

Product Manufacturer: Elite Aluminum Corporation
Manufacturer Address: 4650 Lyons Technology Parkway
Coconut Creek, FL 33073

Product Name & Description: Elite 3000 Aluminum Outswing Prime Entry Door
Large and Small Missile Impact Resistant

Scope of Evaluation:

This Product Evaluation Report is being issued in accordance with the requirements of the Florida Department of Business and Professional Regulation (Florida Building Commission) Rule Chapter 61G20-3.005, F.A.C., for statewide acceptance per Method 1(d). The product noted above has been tested and/or evaluated as summarized herein to show compliance with the Florida Building Code Sixth Edition (2017) and is, for the purpose intended, at least equivalent to that required by the Code. Re-evaluation of this product shall be required following pertinent Florida Building Code modifications or revisions.

Substantiating Data:

- **PRODUCT EVALUATION DOCUMENTS**

EX drawing #14-1440 titled "Elite 3000 Aluminum Outswing Prime Entry Door", sheets 1-10, prepared by Engineering Express, signed & sealed by Frank L. Bennardo, P.E. is an integral part of this Evaluation Report.

- **TEST REPORTS**

Uniform static structural performance has been tested in accordance with TAS 202 test standards per test report(s) #HETI-06-4070 by Hurricane Engineering & Testing, Inc (HETI), Signed by Rafael E. Droz-Seda, P.E. and report #HETI-09-2509A signed by Candido F. Font, PE.

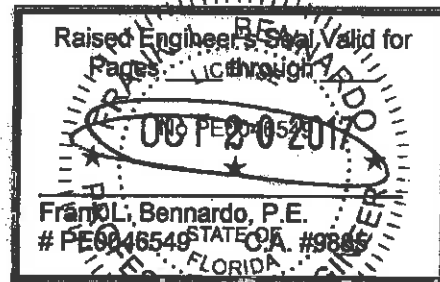
Large missile impact resistance and cyclic loading performance have been tested in accordance with TAS 201 & 203 test standards per test report(s) #HETI-06-4071 by Hurricane Engineering & Testing, Inc (HETI), Signed by Rafael E. Droz-Seda, P.E. and report #HETI-09-2509B signed by Candido F. Font, PE.

- **STRUCTURAL ENGINEERING CALCULATIONS**

Structural engineering calculations have been prepared which evaluate the product based on comparative and/or rational analysis to qualify the following design criteria:

1. Anchor Spacing
2. Maximum Allowable Size/Pressure Combinations

No 33% increase in allowable stress has been used in the design of each product.



The following are approved for use in the HVHZ as specified in their corresponding NOA:

- Sentryglas Interlayer by Kuraray America (NOA # 14-0916.11) or current version.

Impact Resistance:

Large Missile Impact Resistance has been demonstrated as evidenced in previously listed test reports, and is accounted for in the engineering design of this product.

Wind Load Resistance

This product has been designed to resist wind loads as indicated in the span schedule(s) on its Product Evaluation Document (i.e. engineering drawing).

Installation

The product listed above shall be installed in strict compliance with its Product Evaluation Document (i.e. engineering drawing), along with all components noted therein.

The product components shall be of the material specified in its Product Evaluation Document (i.e. engineering drawing).

Limitations & Conditions of Use:

Use of this product shall be in strict accordance with its Product Evaluation Document (i.e. engineering drawing) as noted herein.

All supporting host structures shall be designed to resist all superimposed loads and shall be of a material listed in this product's anchor schedule. Host structure conditions which are not accounted for in this product's anchor schedule shall be designed for on a site-specific basis by a registered professional engineer.

All components which are permanently installed shall be protected against corrosion, contamination, and other such damage at all times.

This product has been designed for use within and outside of the High Velocity Hurricane Zone (HVHZ).



December 18, 2017

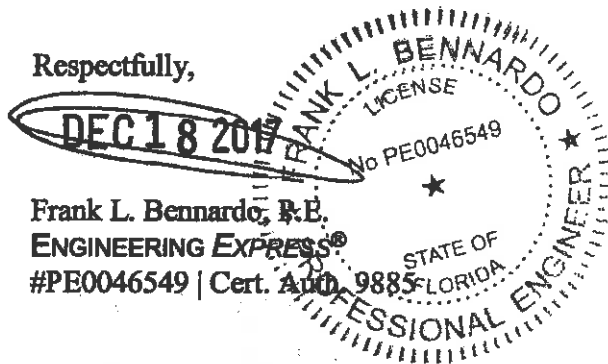
Florida Department of Business and Professional Regulation
1940 North Monroe Street, Tallahassee FL 32399

Regarding: Elite Aluminum Corporation
Elite 3000 Aluminum Outswing Prime Entry Door
Project #14-1440

To Whom It May Concern:

Please be advised that the below-signed engineer does not have nor will acquire a financial interest in the company manufacturing or distributing the product(s) for which an evaluation report or validation certification has been prepared, as referenced above. This engineer is not owned, operated, nor controlled by the manufacturer or distributor noted above and does not have any financial interest in any other entity involved in the approval process of the above-noted product(s).

Respectfully,



Frank L. Bennardo, P.E.
ENGINEERING EXPRESS®
#PE0046549 | Cert. Add. 9885

160 SW 12TH AVENUE SUITE 106, DEERFIELD BEACH, FLORIDA 33442
PHONE: (954) 354-0660 - FAX: (954) 354-0443
ENGINEERINGEXPRESS.COM